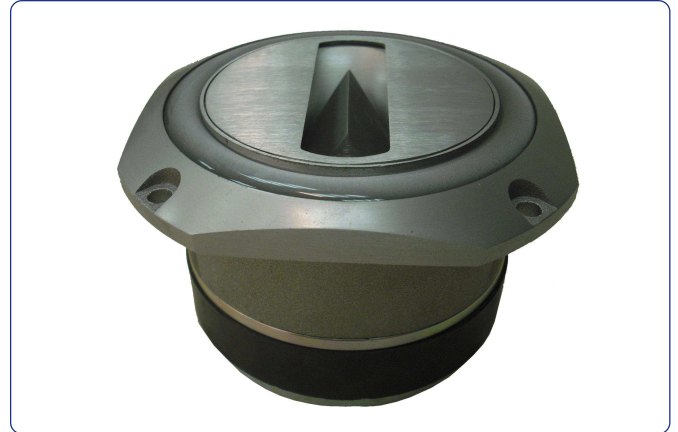


KEY FEATURES

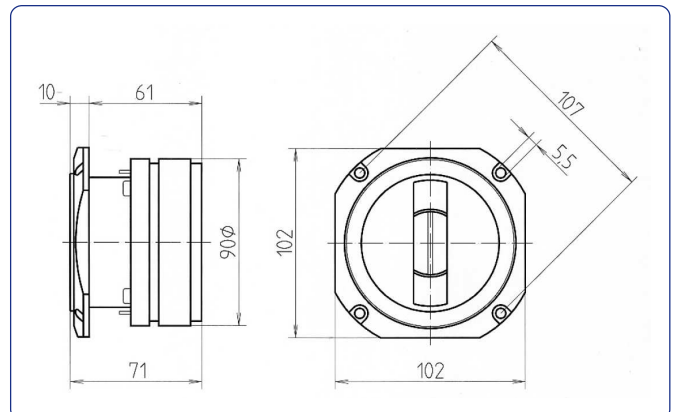
- 1",5 (38,1 mm) edgewound aluminum voice coil
- Great power handling: 25 W_{AES}
- High sensitivity: 105 dB (1W / 1m)
- Aluminum diaphragm
- Wide horizontal dispersion: 140°
- Designed for applications with need of wide horizontal dispersion and precise high frequency coverage
- Sound reinforcement and studio applications



TECHNICAL SPECIFICATIONS

Rated impedance	8 Ω
Minimum impedance	7,7 Ω @ 4,5 kHz
D.C. resistance	6,3 Ω
Power capacity*	25 W _{AES} above 5 kHz
Program power	50 W above 5 kHz
Sensitivity**	105 dB 1W / 1m
Frequency range	3,5 - 20 kHz
Recommended crossover	5 kHz or higher (12 dB/oct min.)
Voice coil diameter	38,1 mm 1,5 in
Flux density	1,55 T
Bl factor	5,2 N/A

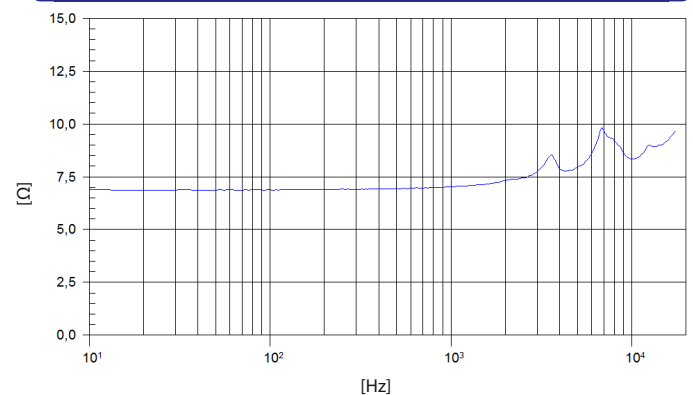
DIMENSION DRAWINGS



MOUNTING INFORMATION

Overall diameter	102 x 102 mm	4 x 4 in
Bolt circle diameter	107 mm	4,21 in
Baffle cutout diameter	92 mm	3,62 in
Depth	72 mm	2,83 in
Net weight	1,70 kg	3,75 lb
Shipping weight	1,75 kg	3,85 lb

FREE AIR IMPEDANCE



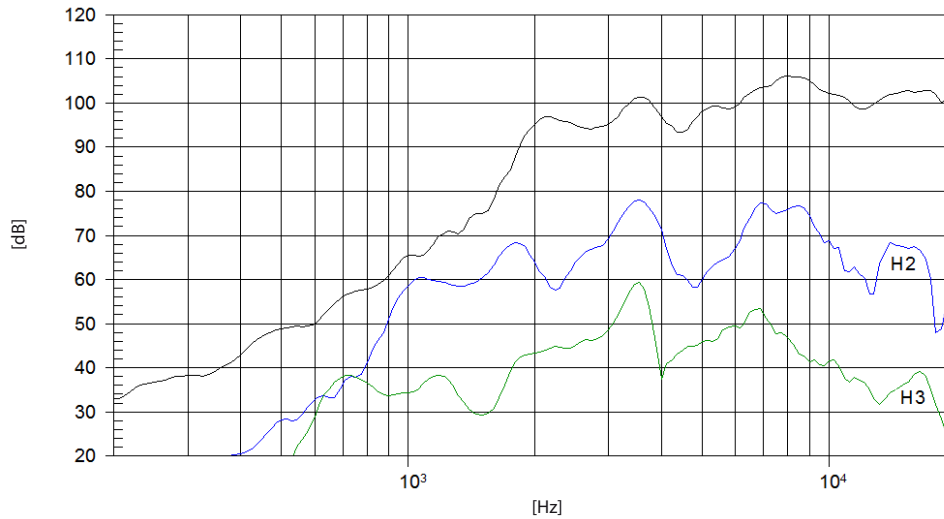
Note: On axis frequency response measured at 1W @ 1m

Notes:

* The power capacity is determined according to AES2-1984 (r2003) standard. Program power is defined as the transducer's ability to handle normal music program material.

** Sensitivity was measured at 1m distance, on axis, with 1W input, averaged in the range 3 - 10 kHz.

FREQUENCY RESPONSE AND DISTORTION



Note: On axis frequency response measured at 1W @ 1m