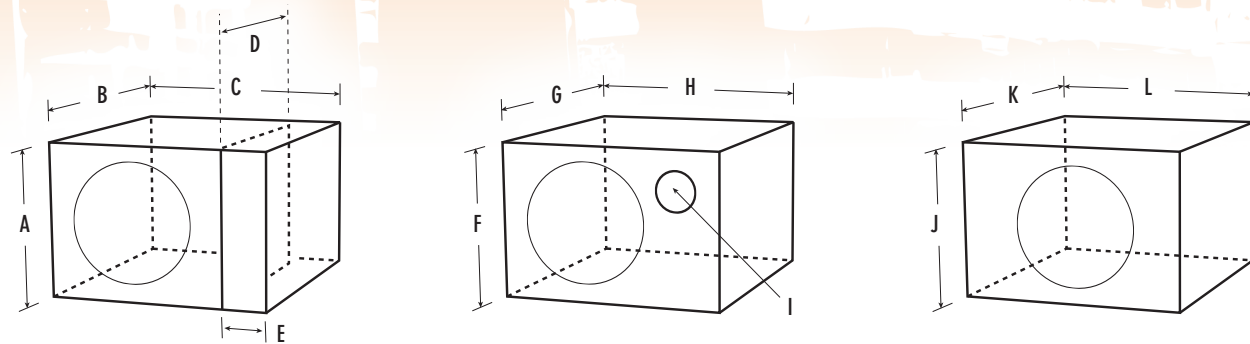


ENCLOSURE DESIGNS



	VENTED COMPETITION SUBWOOFER					VENTED DEEP BASS BOX					SMALL SEALED SUBWOOFER			
	A	B	C	D	E	F	G	H	I	PORTS	LENGTH	J	K	L
EM2010	11.5"	17.6"	16.5"	10.8"	2"	12.5"	17.25"	17"	4"	1	5.5"	11.5"	12.1"	11.5"
EM2012	13.0"	14.1"	17.0"	9.6"	1.3"	18.3"	11.9"	28.7"	4"	1	4.4"	13.6"	9.0"	21.1"
EM2512	14.0"	15.0"	17.5"	10.0"	1.3"	14.0"	22.4"	17.5"	4"	1	8.3"	13.7"	12.1"	13.7"
EM2515	18.5"	15.9"	22.5"	10.6"	2.5"	17.5"	18.1"	22"	4"	2	13.3"	16.7"	10.9"	26.1"

Subwoofer external dimensions, assuming 0.75" thick MDF.

EMINATOR® LIMITED WARRANTY

FOR WARRANTY ISSUES OUTSIDE THE UNITED STATES, PLEASE CONTACT THE EMINATOR® DISTRIBUTOR OR DEALER IN YOUR AREA.

The Eminator® warranty remains in effect for one year from the date of the first consumer purchase (in the United States) with the original bill of sale. Without an original bill of sale, the manufacturing date will establish the beginning of the warranty period.

Your warranty covers all defects in material and workmanship except: damage caused by accident, misuse, abuse, product modification or neglect, or damage incurred during shipment; damage resulting from the performance of repairs by unauthorized Eminence recone/repair centers; claims based upon any misrepresentation by the seller; any Eminator® product on which the date code/serial number has been defaced, modified or removed.

Eminence will pay all labor and material expenses for all repairs covered by this warranty. Please be sure to save the original shipping cartons because a charge will be made if replacement cartons are requested. You are responsible for transporting your product for repair or arranging for its transportation and for payment of any initial shipping charges. We will pay the return shipping charges if repairs are covered by the warranty.

Eminence's liability is limited to the repair or replacement, at our option, of any defective product and shall not include incidental or consequential damage of any kind. This warranty gives you specific legal rights. You may also have other rights which vary from state to state.

If your Eminator® product ever needs service, contact us at Eminence Speaker LLC, 838 Mulberry Pike, P.O. Box 360, Eminence, KY 40019, (502)845-5622 phone, (502)845-5653 fax, warranty@eminence.com or check our website at www.eminence.com for a listing of an authorized service center near you. Please do not ship your product to the factory or authorized center without prior authorization.



The Art and Science of Sound

WWW.EMINENCE.COM

EMINATOR®

CAR AUDIO PRODUCTS FROM EMINENCE.



SILENCE IS FUTILE!

The Eminator® Car Audio Series is designed and manufactured by Eminence Speaker LLC, the most trusted name in audio since 1966.

Don't just hear the music, feel it with Eminator®.



EM1506
HIGH-POWER MIDRANGE



EM1508
HIGH-POWER MIDRANGE



EM2510
HIGH-POWER WOOFER



EM2010
HIGH-POWER SUBWOOFER



EM2012
HIGH-POWER SUBWOOFER



EM2512
HIGH-POWER SUBWOOFER



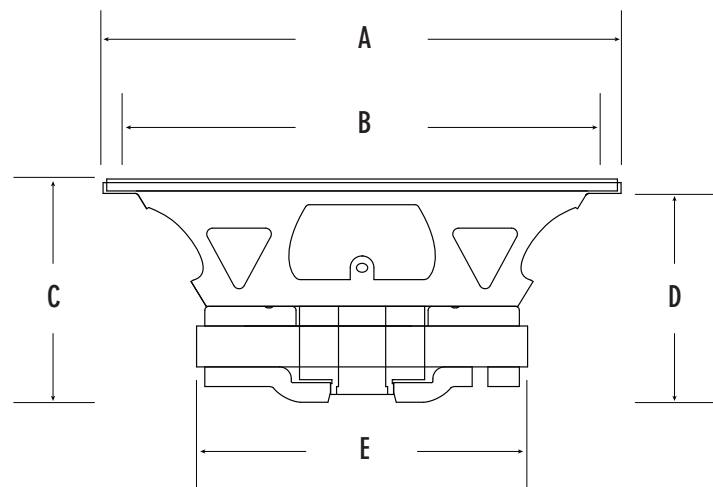
EM2515
HIGH-POWER SUBWOOFER

SPECIFICATIONS

BASKET DIAMETER	6.5"	8"	10"	10"	12"	12"	15"
NOMINAL IMPEDANCE	8 OHMS	8 OHMS	4 OHMS	4 OHMS	4 OHMS	4 OHMS	4 OHMS
POWER RATING	100W / 400W PEAK	125W / 500W PEAK	300W / 1,200W PEAK	200W / 800W PEAK	200W / 800W PEAK	300W / 1,200W PEAK	300W / 1,200W PEAK
VOICE COIL SIZE	1.5"	1.5"	2.5"	2"	2"	2.5"	2.5"
MAGNET WEIGHT	20 OZ	20 OZ	56 OZ	34 OZ	38 OZ	56 OZ	56 OZ
XMAX	1.8 MM	3.3 MM	3 MM	5 MM	5 MM	6 MM	6 MM
QT	.63	.59	.47	.59	.54	.43	.37
VAS	3.6 LTR	14 LTR	40.3 LTR	61.4 LTR	65.3 LTR	46.1 LTR	274.8 LTR
FS	119 HZ	82.7 HZ	49.5 HZ	41 HZ	42 HZ	44 HZ	29 HZ
SPL	93.4 DB	93.4 DB	92 DB	90.3 DB	91.3 DB	91.2 DB	94.4 DB

MEASUREMENTS SEE DIAGRAM BELOW

A	6.6"	8.3"	10.2"	10.1"	12.3"	12.3"	15.2"
B	5.6"	7.1"	9.1"	9.1"	11.0"	11.0"	13.8"
C	3.3"	3.6"	4.6"	4.5"	5.5"	5.6"	6.4"
D	2.9"	3.3"	4.1"	4.0"	5.0"	5.2"	5.9"
E	4.6"	4.6"	6.3"	5.4"	5.4"	6.3"	6.3"



EMINATOR®

SILENCE IS FUTILE!

HF DRIVER

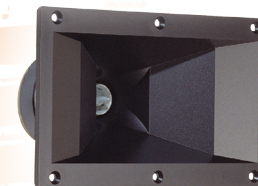


EM:50

SUPERTWEETER OPTIONS



EM:80

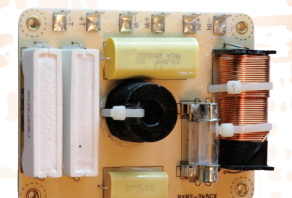


EM:150



EM:200

CROSSOVER



EM2:2K5CX

THROAT SIZE	1"
POWER RATING	35W @ 3.5 KHZ / 140W PEAK
SPL	104 DB
DEPTH	2.5"
WEIGHT	1.6 LBS

DISPERSION	80° CONICAL
DIMENSIONS	3.43"W, 3.43"H, 1.8"D
CUT-OUT	3.15"
DEPTH	2.9"
WEIGHT	1.8 LBS

HORN ONLY: EM:80S

DIMENSIONS	100 X 50
CUT-OUT	7.55"W, 4.49"H, 3.18"D
DEPTH	6.7" X 3.4"
WEIGHT	2 LBS

HORN ONLY: EM:150S

TYPE	2-WAY
POWER RATING	250W / 1,00W PEAK
CABINET READY	NO
IMPEDANCE	8 OHMS
CROSSOVER FREQ.	2.5 KHZ

HORN ONLY: EM:200S