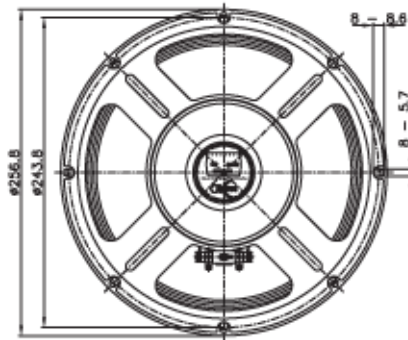
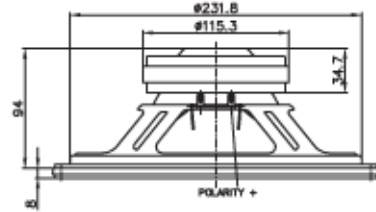




10FE200 Fe Series



NOMINAL SPECIFICATIONS

Nominal Diameter	250 mm (10 in)
Overall Diameter	256.8 mm (10.1 in)
Bolt Circle Diameter	243.8 mm (9.60 in)
Baffle Cutout Diameter	233.8 mm (9.20 in)
Depth	102 mm (4.02 in)
Flange and Gasket Thickness	8 mm (0.31 in)
Net Weight	2.25 Kg (4.96 lb)
Shipping Box (Single Carton Box)	140x280x282 mm (5.51x11.02x11.10 in)
Shipping Weight	2.6 Kg (5.73 lb)

ELECTRICAL SPECIFICATION

Nominal Impedance	8 Ohm
Minimum Impedance	6.8 Ohm
Nominal Power Handling *	150 W
Maximum Power Handling **	300 W
Sensitivity (1W/1m)	96 dB
Frequency Range	50÷4500 Hz
Voice Coil Diameter	37 mm (1.46 in)
Winding Material	Al
Former Material	Kapton
Winding Depth	12 mm (0.47 in)
Magnetic Gap Depth	8 mm (0.31 in)
Flux Density	1 T

THIELE & SMALL PARAMETERS

Fs	55 Hz
Re	5.9 Ohm
Qes	0.7
Qms	9
Qts	0.6
Vas	44 dm ³ (1.55 ft ³)
Sd	327.7 cm ² (50.79 in ²)
Xmax ***	4.67 mm
Xdamage ****	10.4 mm
Mms	22.5 g
Bl	8.2 N/A
Le	0.42 mH
Mmd	20 g
Cms	0.3 mm/N
Rms	0.9 Kg/s
Eta Zero	1.4 %
EBP	79 Hz

NOTES

(*) 2 Hours Test According to AES 2-1984 Rev. 2003

(**) Maximum power is defined as 3dB greater than nominal power.

(***) Xmax = [(winding depth - magnetic gap depth) / 2] + (magnetic gap depth / 3)

(****) Maximum excursion before permanent damage

CURVES

