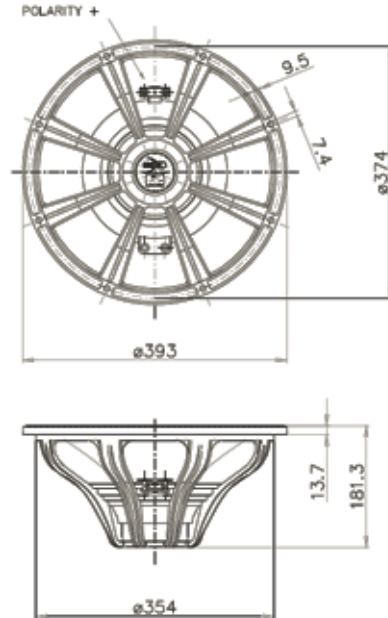




15FH500 Five Hundred Series



NOMINAL SPECIFICATIONS

Nominal Diameter	380 mm (15 in)
Overall Diameter	393 mm (15.47 in)
Bolt Circle Diameter	374 mm (14.72 in)
Baffle Cutout Diameter	355 mm (13.98 in)
Depth	181.3 mm (7.14 in)
Flange and Gasket Thickness	13.7 mm (0.54 in)
Net Weight	4.4 Kg (9.7 lb)
Shipping Box (Single Carton Box)	426x429x225 mm (16.8x16.9x8.9 in)
Shipping Weight	5 Kg (11 lb)

ELECTRICAL SPECIFICATION

Nominal Impedance	8 Ohm
Minimum Impedance	6 Ohm
Nominal Power Handling *	500 W
Maximum Power Handling **	1000 W
Sensitivity (1W/1m)	98 dB
Frequency Range	35-3150 Hz
Voice Coil Diameter	77 mm (3 in)
Winding Material	Cu
Former Material	Glass Fiber
Winding Depth	22 mm (0.87 in)
Magnetic Gap Depth	10.5 mm (0.41 in)
Flux Density	1.2 T

THIELE & SMALL PARAMETERS

Fs	35 Hz
Re	5.1 Ohm
Qes	0.32
Qms	10.40
Qts	0.31
Vas	217.4 dm ³ (7.68 ft ³)
Sd	880 cm ² (136.4 in ²)
Xmax ***	9.25 mm
Xdamage ****	16 mm
Mms	104 g
Bl	19.2 N/A
Le	1.3 mH
Mmd	89.7 g
Cms	0.2 mm/N
Rms	2.2 Kg/s
Eta Zero	2.8 %
EBP	109 Hz

NOTES

PATENTED IT2006/000327

(*) 2 Hours Test According to AES 2-1984 Rev. 2003

(**) Maximum power is defined as 3dB greater than nominal power.

(***) Xmax = [(winding depth - magnetic gap depth) / 2] + (magnetic gap depth / 3)

(****) Maximum excursion before permanent damage

CURVES

