



CAT 408

Classic Advanced, Tweeter, Ø 72mm, 8Ω

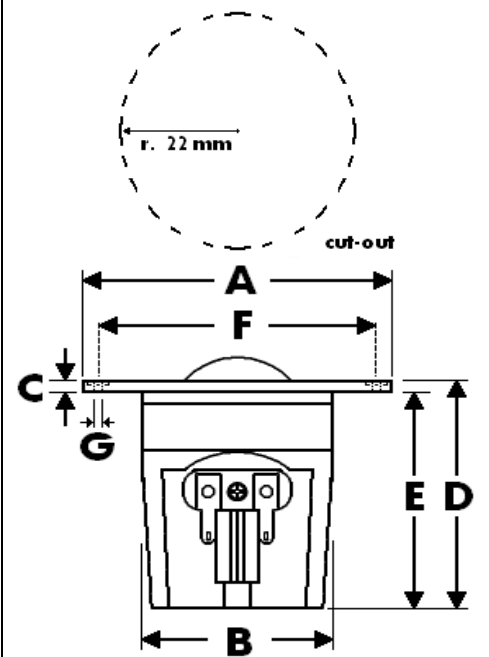
Features:

- * 72mm compact face plate
- * Large Hexatech™ aluminum voice coil
- * Neodymium magnet system
- * Ferro fluid cooled
- * High power handling

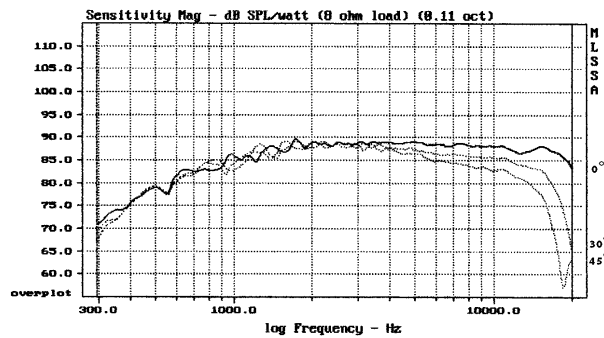
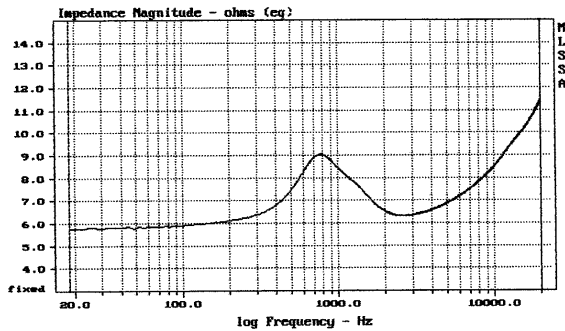


SPECIFICATIONS

General Data		
Overall Dimensions	DxH	72mm(2.83)x60mm(2.3")
Nominal Power Handling (DIN)	P	120W
Transient Power 10ms		1000W
Sensitivity 2.83V/1M		89dB SPL
Frequency Response		See graph
Dome Material		Acuflex™ hand coated soft dome
Net Weight	Kg	0.09
Electrical Data		
Nominal Impedance	Z	8Ω
DC Resistance	Re	5.2Ω
Voice Coil Inductance @ 1KHz	LBM	0.09mH
Voice Coil and Magnet Parameters		
Voice Coil Diameter	DIA	28mm
Voice Coil Height		2.7mm
HE Magnetic Gap Height	HE	2.5mm
Max. Linear Excursion	X	
Voice Coil Former		Aluminum
Voice Coil Wire		Hexatech™ Aluminum
Number Of Layers		2
Magnet System Type		Neodymium vented
B Flux Density	B	
BL Product	BXL	
T-S Parameters		
Suspension Compliance	Cms	
Mechanical Q Factor	Qms	0.87
Electrical Q Factor	Qes	1.3
Total Q Factor	Qts	0.52
Mechanical Resistance	Rms	
Moving Mass	Mms	0.46 g
Eq. Cas Air Load (liters)	VAS	
Resonant Frequency	Fs	780 Hz
Effective Piston Area	SD	6.0 cm ²



- A - Overall diameter 72mm
- B - Cut out diameter 44mm
- C - Flange thickness 3mm
- D - Overall height 60mm
- E - Magnet/Chamber depth 57mm
- F - Mounting holes location on rim 62mm
- G - 3 Mounting holes, at 120° interval, inner hole diameter Ø 3mm, pocket h 1mm, Ø 7mm



Measured on IEC baffle using Bruel & Kjaer 3144 model microphone.

Morel operate policy of continuous product design improvement, consequently specifications are subject to alteration without prior notice.