

## 1.1" - 120W Dome Tweeter

LP 43.28/N20 TW 4 Ω  
Code Z008982

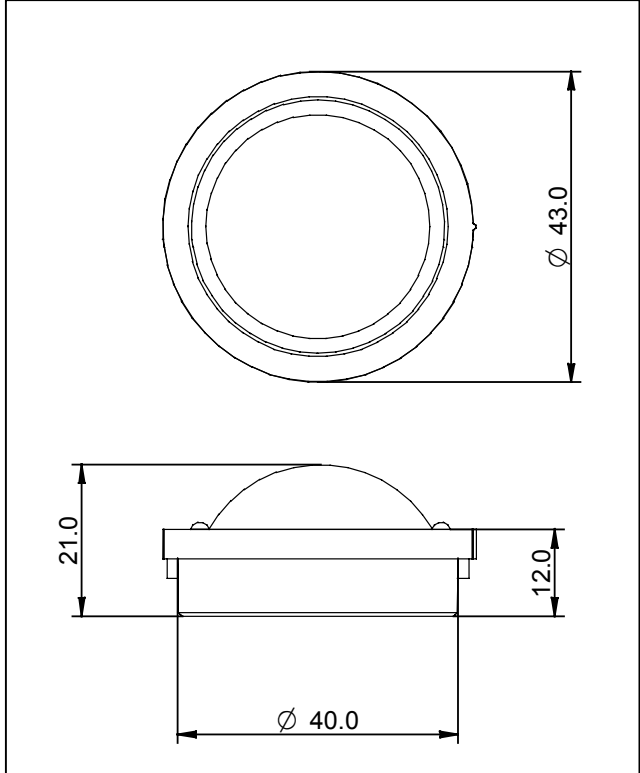
GENERAL CHARACTERISTICS		
Nominal Overall Diameter .....	43	mm
Nominal Voice Coil Diameter .....	28	mm
Magnet Weight .....	20	g
Flux Density.....	1.37	T
Weight.....	0.08	Kg

THIELE-SMALL PARAMETERS			
Voice Coil DC Resistance .....	$R_E$	3.20	Ω
Resonance Frequency .....	$f_s$	1200	Hz

CONSTRUCTIVE CHARACTERISTICS	
Magnet.....	Neodymium
Voice Coil Winding.....	Aluminium Flat Wire
Voice Coil Former.....	Aluminium
Voice Coil Winding Height.....	2.7mm
Dome Material.....	Treated Silk
Flange .....	-
Air Gap Height.....	2.0mm
Ferrofluid in Air Gap .....	Yes

**NOTES**  
Loudspeaker supplied with extension cables

ELECTRICAL CHARACTERISTICS		
Nominal Impedance.....	4	Ω
Musical Power .....	120	W
Rated Power* .....	60	W
Sensitivity @ 1 W, 1 m .....	91.0	dB



\*rated power measured with 2 hours test with continuous pink noise signal, 6 dB crest factor, HP filter 4.5kHz-12dB/Oct

Frequency Response on IEC Baffle (DIN 45575) @ 1 W, 1 m - Free Air Impedance

