

## 1" - 160W Dome Tweeter

LP 110.25/245 TW 8 Ω

Code Z009220

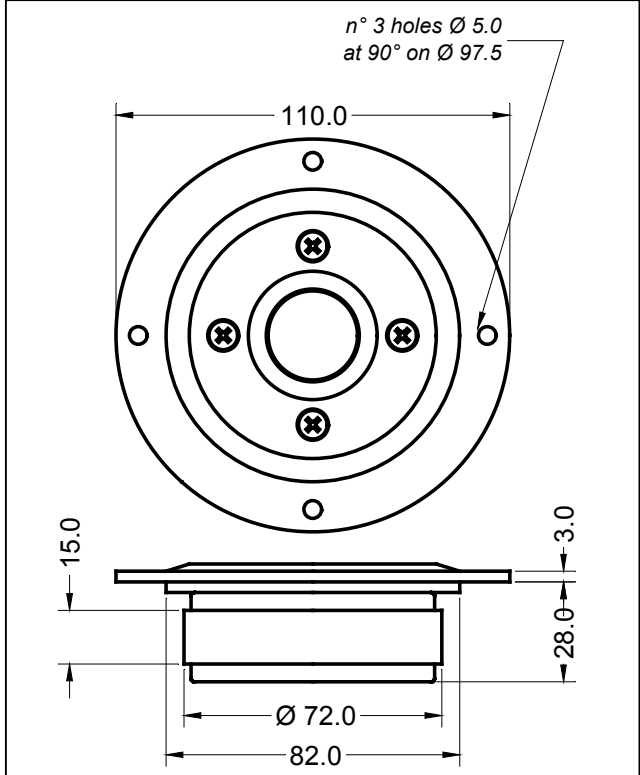
GENERAL CHARACTERISTICS		
Nominal Overall Diameter .....	110	mm
Nominal Voice Coil Diameter .....	25	mm
Magnet Weight .....	245	g
Flux Density.....	1.70	T
Weight.....	0.58	Kg

THIELE-SMALL PARAMETERS		
Voice Coil DC Resistance .....	$R_E$	6 Ω
Resonance Frequency .....	$f_s$	1200 Hz
Voice Coil Inductance @ 1kHz .....	$L_E$	0.33 mH

CONSTRUCTIVE CHARACTERISTICS	
Magnet.....	Ferrite
Voice Coil Winding.....	Copper
Voice Coil Former.....	Aluminium
Voice Coil Winding Height.....	1.7 mm
Dome Material.....	Treated Silk
Flange .....	ABS
Air Gap Height.....	2mm
Ferrofluid in Air Gap .....	Yes

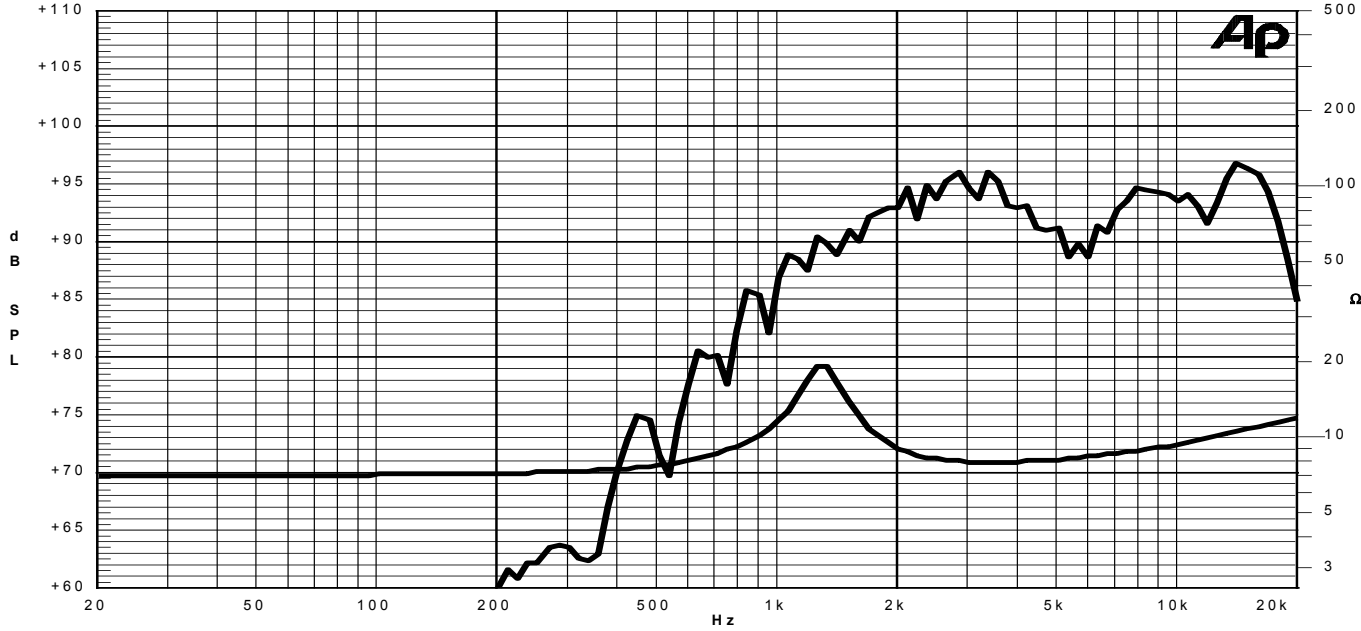
**NOTES**

ELECTRICAL CHARACTERISTICS	
Nominal Impedance.....	8 Ω
Musical Power .....	160 W
Rated Power* .....	80 W
Sensitivity @ 1 W, 1 m .....	93.0 dB



\*rated power measured with 2 hours test with continuous pink noise signal, 6 dB crest factor, HP filter 4.5kHz-12dB/Oct

Free Air Frequency Response @ 1 W, 1 m - Impedance



Due to continuing product improvement, the features and the design are subject to change without notice.

09/03/05