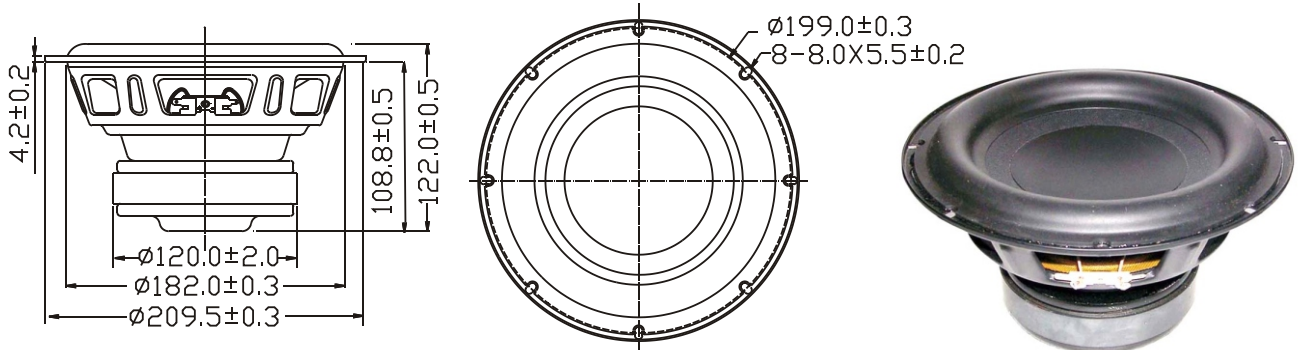


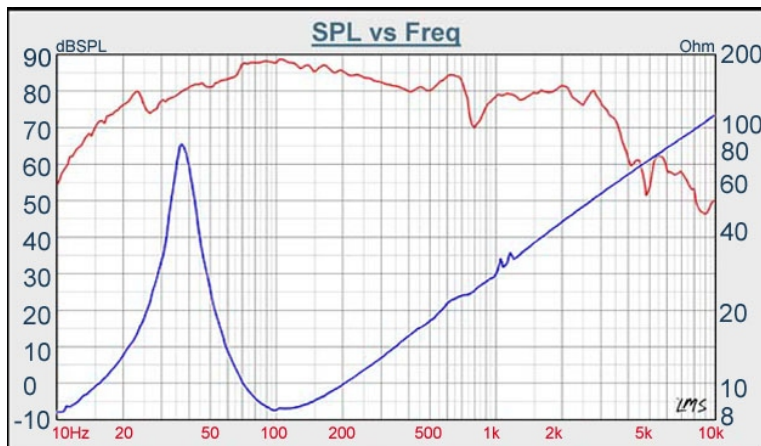
PA SERIES

W8-670C



- LONG THROW HIGH POWER LOADING DESIGN
- EXTREMELY LINEAR EXCURSION DESIGN
- PAPER CONE WITH BIG ROLL
- VENTED POLE PIECE
- STAMPED STEEL BASKET
- SUITABLE FOR SUBWOOFER APPLICATION

8" PAPER SUBWOOFER



DIAPHRAGM MTL	Paper
SURROUND MTL	Foam
NOMINAL IMPEDANCE	8
DCR IMPEDANCE	6.5
SENSITIVITY 1W/1m	87 dB
FREQUENCY RESPONSE	37-800 Hz
FREE AIR RESONANCE	40 Hz
VOICE COIL DIAMETER	38 mm
AIR GAP HEIGHT	8 mm
RATED POWER INPUT	80 W
MAXIMUM POWER INPUT	150 W
FORCE FACTOR, BL	13 TM
MAGNET WEIGHT (28.5 oz)	808 g
MOVING MASS	45 g
FERROFLUID ENHANCED	No
SUSPENSION COMPLIANCE	379.27 μMN^{-1}
EFFECTIVE PISTON AREA	0.022 M^2
Levc	0.715 mH
Zo	90.88 ohm
X-max	7 mm
Vas	25.68 Liter
Qts	0.37
Qms	3.94
Qes	0.41