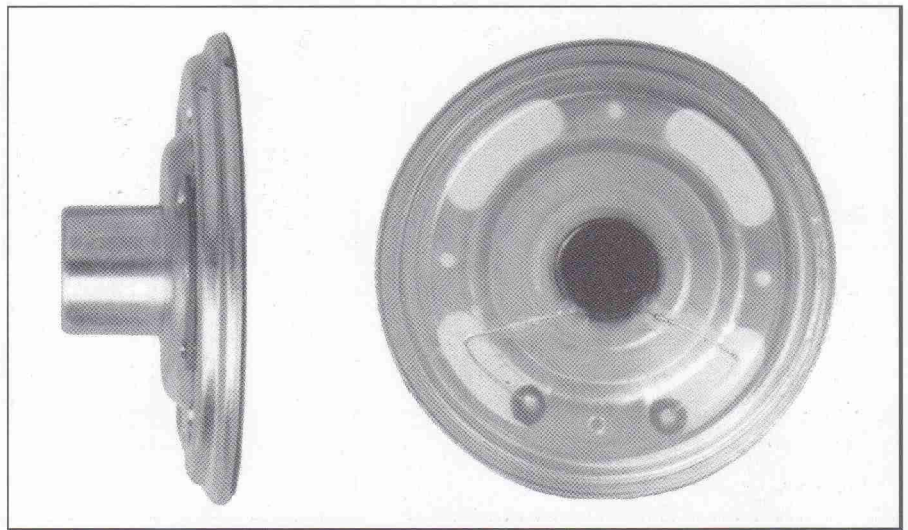


INDUSTRIAL SERIES

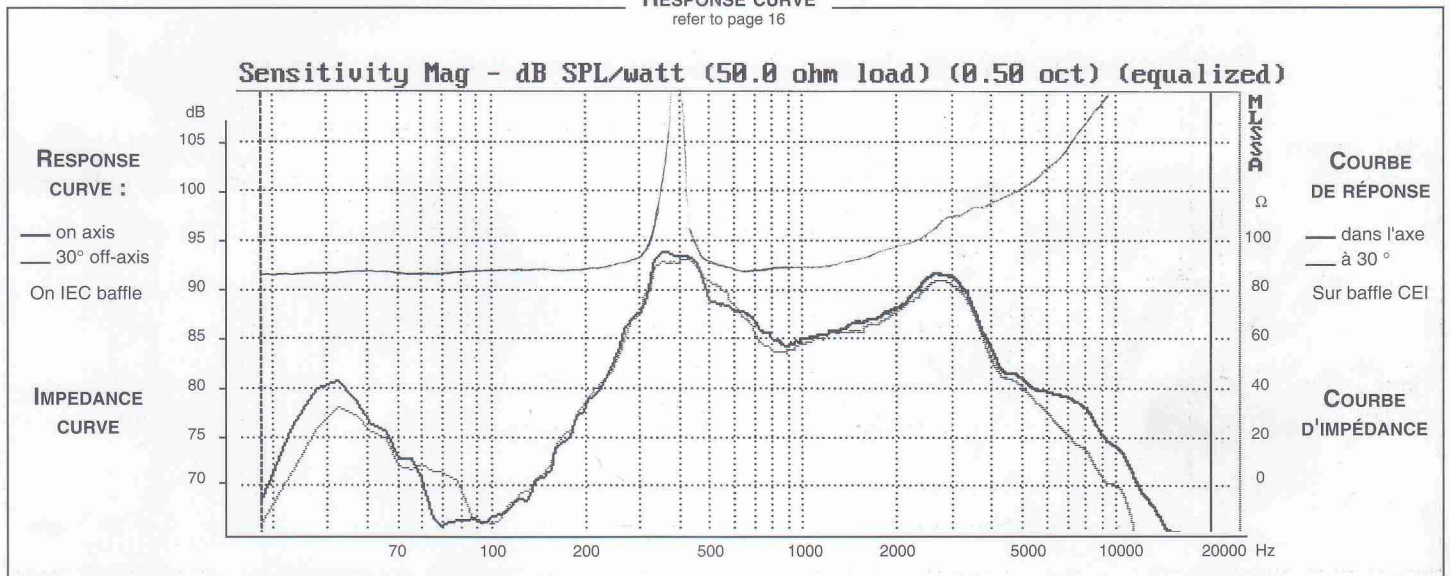
FULL RANGE
100921M

Impedance 50 Ω
Alnico magnet
Antimagnetic
Stamped steel chassis
Polymer cone

Impédance 50 Ω
Aimant Alnico
Antimagnétique
Châssis acier embouti
Cône polymère



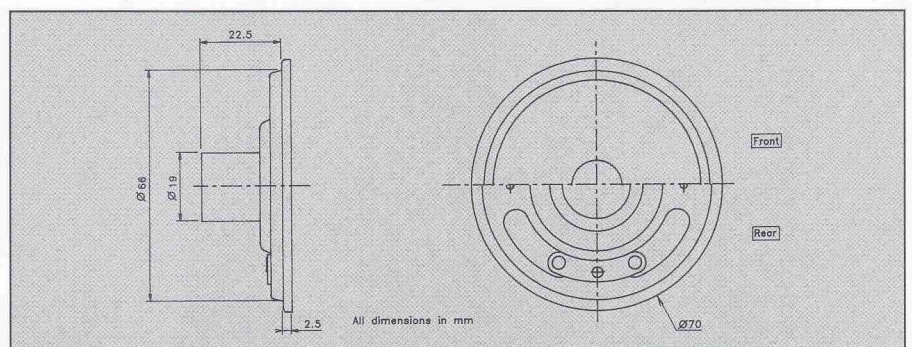
RESPONSE CURVE
refer to page 16



SPECIFICATIONS			
Technical Characteristics	Symbol	Value	Units
PRIMARY APPLICATIONS			
Nominal Impedance	Z	50	Ω
Resonance Frequency	Fs	450	Hz
Nominal Power Handling	P	0,3	W
Sensitivity	E	87	dB
VOICE COIL			
Voice coil diameter	Ø	14	mm
Voice coil length	h	6,7	mm
DC Resistance	Re	6	Ω
Former	-	Aluminium	-
MAGNET			
Magnet dimensions	Ø x h	13 x 12	mm
Magnet weight	m	222.10 ⁻³	kg
Force factor	BL	-	NA ⁻¹
Linear excursion	Xmax	-	mm
PARAMETERS			
Total Q Factor	Qts	-	-
Moving Mass	Mms	-	kg
Volume Eq. of Air at Cas	Vas	-	m ³
Mass of speaker	M	50.10 ⁻³	kg

A 2^{3/4}" driver designed for telecommunications engineering equipment, security equipment. It offers : Alnico shielded magnet system and polymer cone with good environmental properties.

Ce haut-parleur de 70 mm est particulièrement destiné à des applications de type communications, équipements de mesures et de laboratoires, sécurité etc... Son système magnétique Alnico est blindé, le cône en polymère est peu sensible aux agents atmosphériques.



CS070V0 F50VVA1411

Please refer to method of measurement and measurement conditions page 15 to 19.
Audax may, without prior notification modify the specifications on its products further to research and development requirements.

100959X