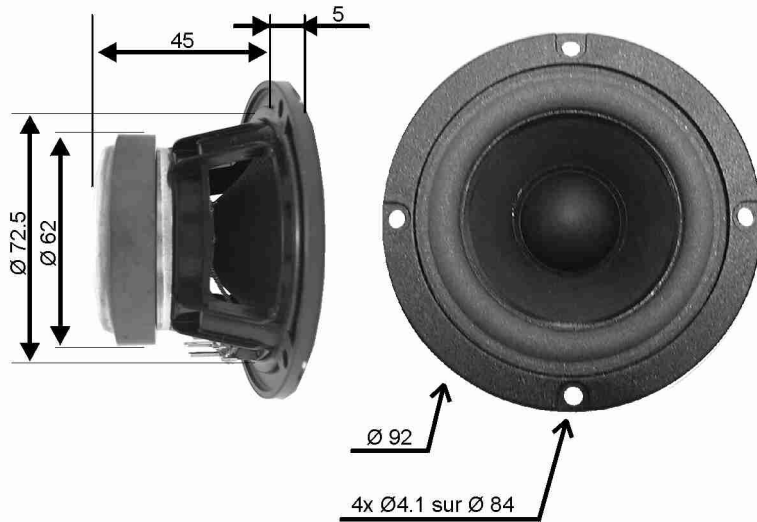
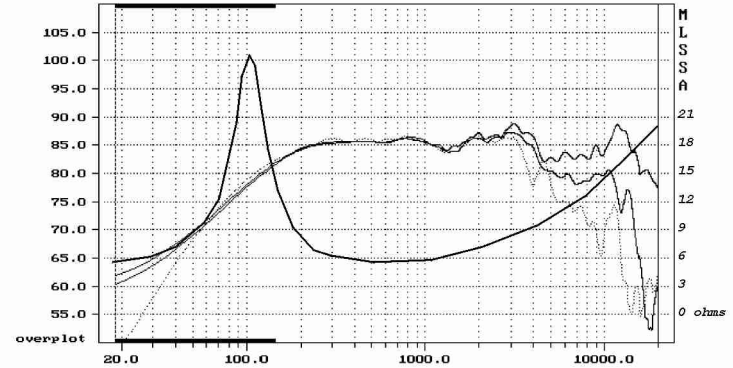


3" Bass Midrange paper cone 6 ohms

HP080M0



Non resonant high impact polymere chassis
Foam surround
High temperature voice coil



Nominal impedance 6 ohms
Resonance 120.04 Hz
Power handling (IEC) 25 W
Sensitivity (2.83V/1m) 85.9 dB

Resistance (DC) 4.91 ohms
Inductance 0.34 mH
Xmax ± 1.6 mm
Qms 2.84
Qes 0.63
Qts 0.51
Vas 0.93 l

Voice coil diam. 20 mm
Voice coil length 7.2 mm
Former aluminium
Layer(s) 2
Wire type round
Force factor 3.77 NA⁻¹
Moving mass 2.41 gr

Cone material paper
Suspension foam
Chassis polymer
Total mass 0.30 kg

