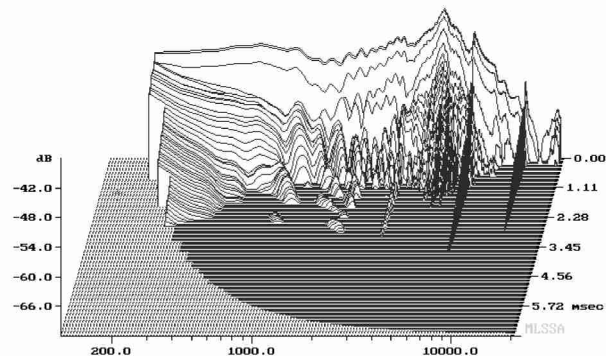
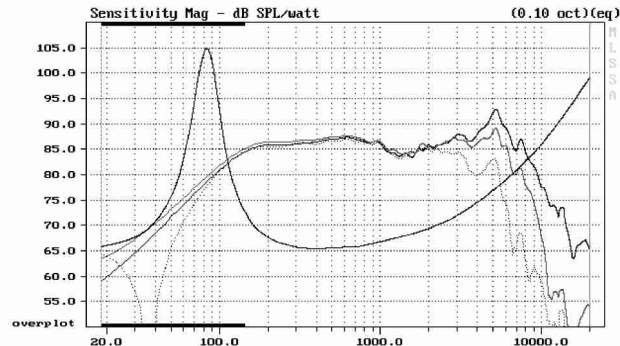
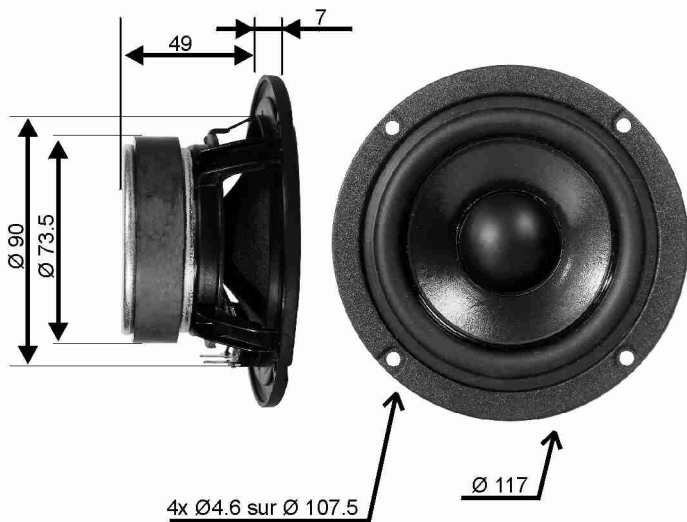


Non resonant high impact polymere chassis
High loss rubber surround
High temperature voice coil



Nominal impedance 6 ohms
Resonance 68.1 Hz
Power handling (IEC) 30 W
Sensitivity (2.83V/1m) 86.3 dB

Resistance (DC) 5.7 ohms
Inductance 0.49 mH
Xmax ± 2.7 mm
Qms 2.02
Qes 0.45
Qts 0.37
Vas 4.03 l

Voice coil diam. 25 mm
Voice coil length 9.4 mm
Former aluminium
Layer(s) 2
Wire type round
Force factor 4.98 NA⁻¹
Moving mass 4.81 gr

Cone material HDA
Suspension rubber
Chassis polymer
Total mass 0.62 kg