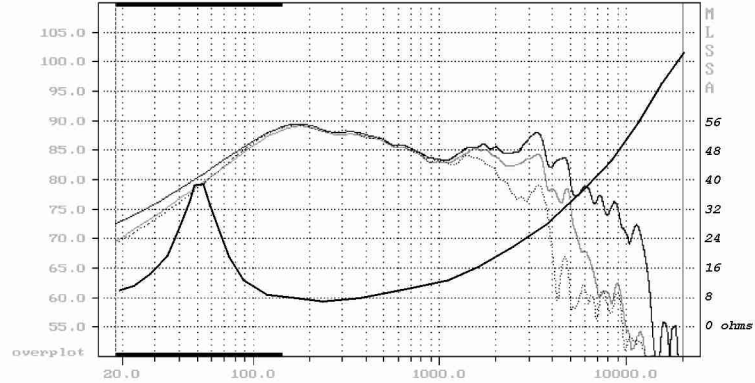
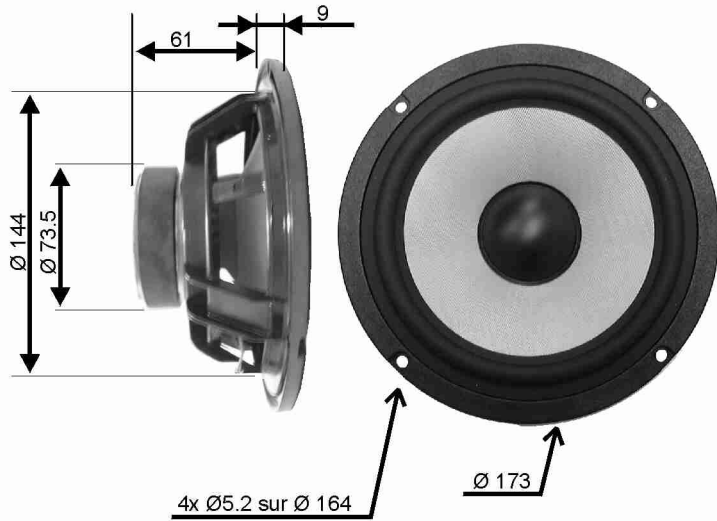


**6" Bass fiber cone 6 ohms**

**HP170F0**

Non resonant high impact polymere chassis  
High loss rubber surround  
High temperature voice coil



Nominal impedance . . . . . 6 ohms  
Resonance . . . . . 51.81 Hz  
Power handling (IEC) . . . . . 45 W  
Sensitivity (2.83V/1m) . . . . . 89.1 dB  
  
Resistance (DC) . . . . . 5.50 ohms  
Inductance . . . . . 1.2 mH  
Xmax . . . . . ± 3.5 mm  
Qms . . . . . 3.00  
Qes . . . . . 0.44  
Qts . . . . . 0.39  
Vas . . . . . 17.09 l

Voice coil diam. . . . . 25 mm  
Voice coil length . . . . . 11 mm  
Former . . . . . aluminium  
Layer(s) . . . . . 4  
Wire type . . . . . round  
Force factor . . . . . 7.43 NA<sup>-1</sup>  
Moving mass . . . . . 13.66 gr  
  
Cone material . . . . . glass fiber  
Suspension . . . . . rubber  
Chassis . . . . . polymer  
Total mass . . . . . 0.7 kg

