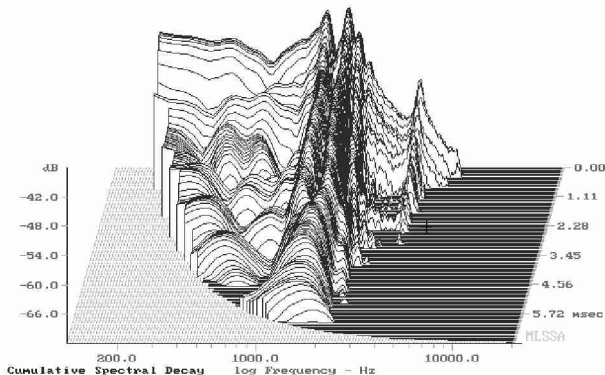
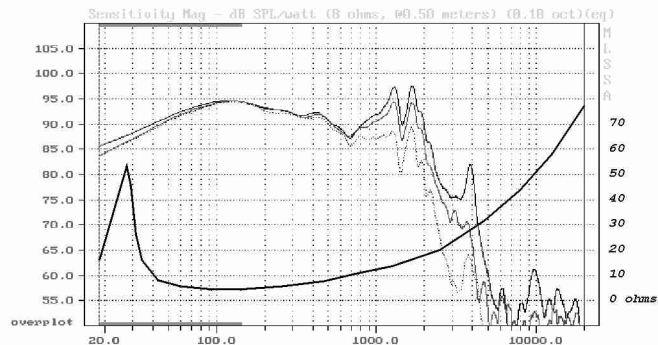
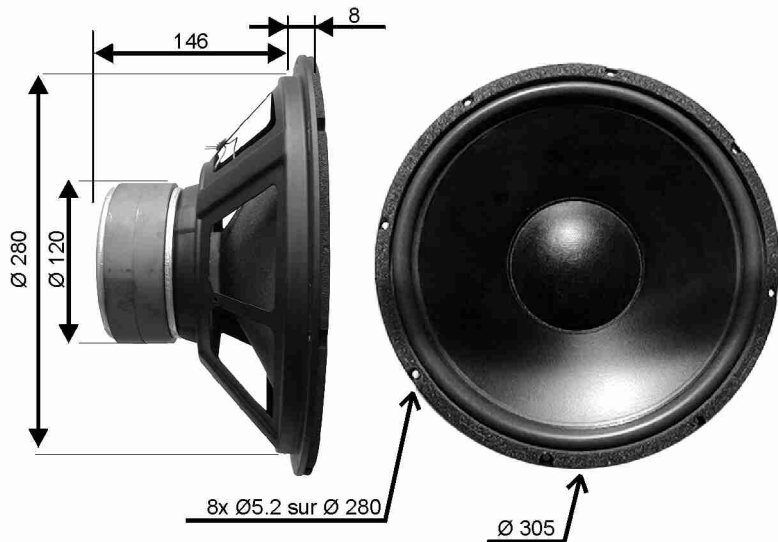


High efficiency and power handling
Heavy duty stamped steel chassis
Usage : audio/video theater and bass systems



Nominal impedance 4 ohms
Resonance 31.48 Hz
Power handling (IEC) 120 W
Sensitivity (2.83V/1m) 93.4 dB

Resistance (DC) 3.23 ohms
Inductance 1.13 mH
Xmax ± 8 mm
Qms 9.16
Qes 0.35
Qts 0.34
Vas 162.49 l

Voice coil diam. 45 mm
Voice coil length 22 mm
Former kapton
Layer(s) 2
Wire type Round
Force factor 10.79 NA⁻¹
Moving mass 64.22 gr

Cone material HDA
Suspension foam
Chassis steel
Total mass 4.3 kg