

TWEETER

TM020J11 D08SSZ0065
102123G

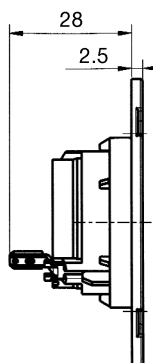
102310G

June .99

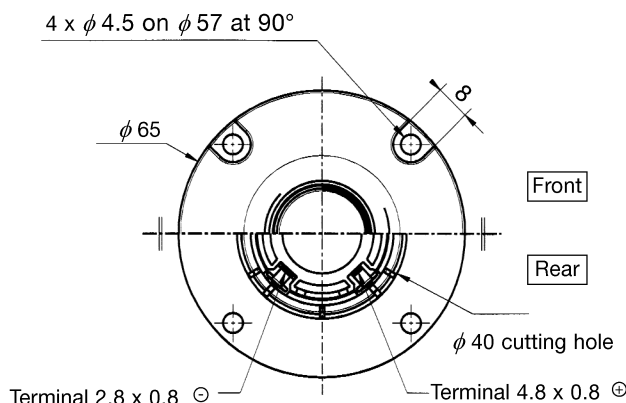
Hi Fi . Round . Soft polymer 8 Ω



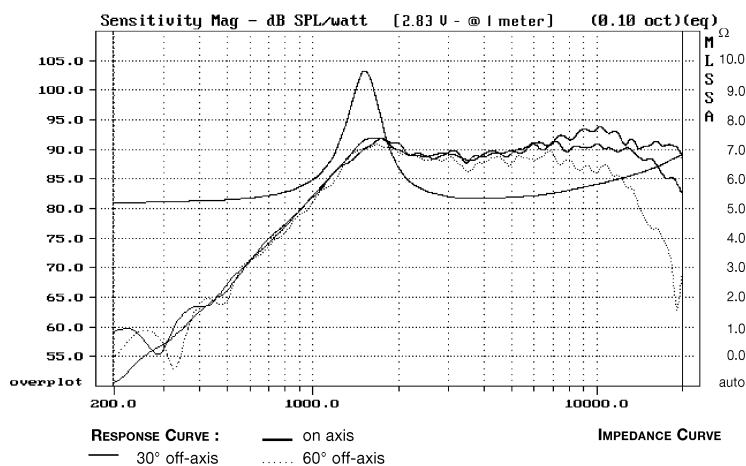
- Optimized advanced polymer dome profile
- Compact design for small high-end systems
- Smooth response face plate profile
- Ultra light copper clad aluminium wire voice coil
- High energy neodymium magnet (20 times ceramic magnet)
- Ferrofluid cooled voice coil (new generation : 250 cps)
- Inherently shielded magnet system for audio / video application



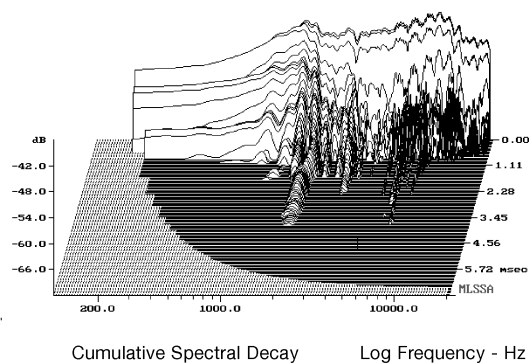
All dimensions in mm



Response Curve



Waterfall



SPECIFICATIONS

Technical characteristics	Symbol	Value	Units
PRIMARY APPLICATION			
Nominal Impedance	Z	8	Ω
Resonance Frequency	Fs	1523,5	Hz
Nominal Power Handling	P	40	W
Sensitivity (2,83 V - 1m)	E	90	dB
VOICE COIL			
Voice Coil Diameter	φ	20	mm
Minimum Impedance	Zmin	5,4	Ω
DC Resistance	Dcr	5,2	Ω
Voice Coil Inductance	Lbm	0,02	mH
Voice Coil Length	h	1,7	mm
Former	-	Aluminium	-
Number of Layers	n	2	-
Wire type	-	round	-
Wire material	-	Aluminium	-

MAGNET

Magnet Dimensions	φ x h	20 x 0,4	mm
Magnet Weight	m	8,9	g
Flux Density	B	1	T
Force Factor	BL	-	NA ⁻¹
Height of Magnetic Gap	He	2	mm
Stray Flux	Fmag	-	Am ⁻¹
Linear Excursion	Xmax	± 0,15	mm

PARAMETERS

Suspension Compliance	Cms	-	µm/N
Mechanical Q Factor	Qms	3,02	-
Electrical Q Factor	Qes	3,42	-
Total Q Factor	Qts	1,61	-
Mechanical Resistance	Rms	-	kg s ⁻¹
Moving Mass	Mms	-	g
Effective Piston Area	S	3,14	cm ²
Volume Equivalent of Air at Cas	Vas	-	liters
Mass of Speaker	M	50	g

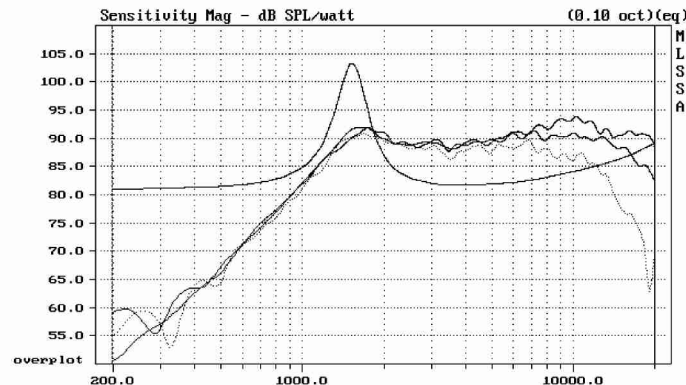
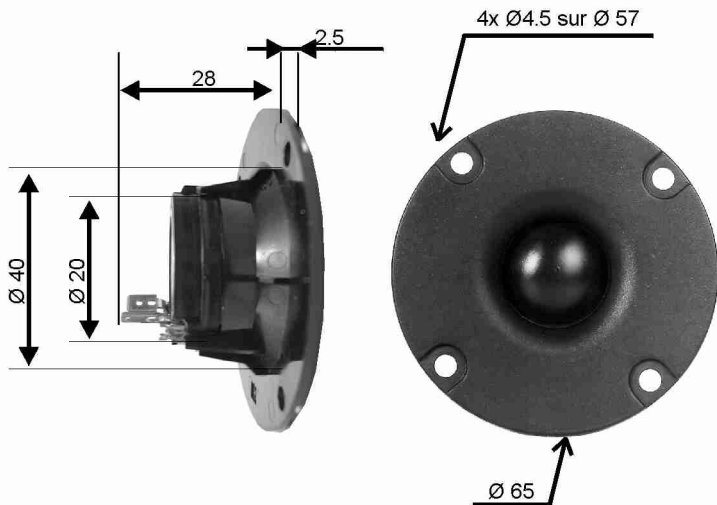
Suggested Application

Crossover Frequency	Slope	Inductance	Capacitor	Power Handling
Hz	dB / Oct.	mH	mF	W
4340	6	-	6,8	40
2860	12	0,5	6,2	40

3/4" soft polymer dome - 8 ohms

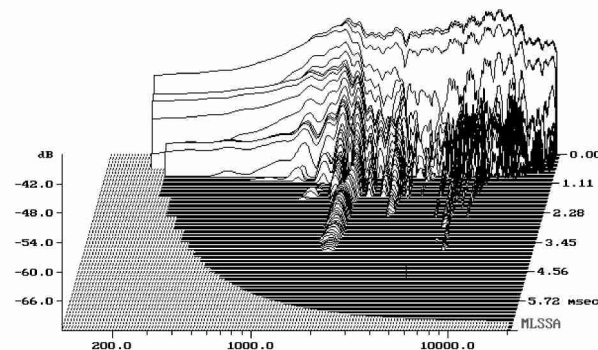
TM020J11

High energy neodymium magnet
Round light design
Ferrofluid cooled voice coil



Nominal impedance 8 ohms	Voice coil diam. 20 mm
Resonance 1523.5 Hz	Voice coil length 1.7 mm
Power handling (IEC) 40 W	Former aluminium
Sensitivity (2.83V/1m) 90.0 dB	Layer(s) 2

Resistance (DC) 5.2 ohms	Cone material soft polymer
Inductance 0.02 mH	Chassis polymer
Xmax ± 0.15 mm	Total mass 50 gr



Compact overmoulded magnet system
Inherently shielded - Smooth response face plate profile