

TWEETER

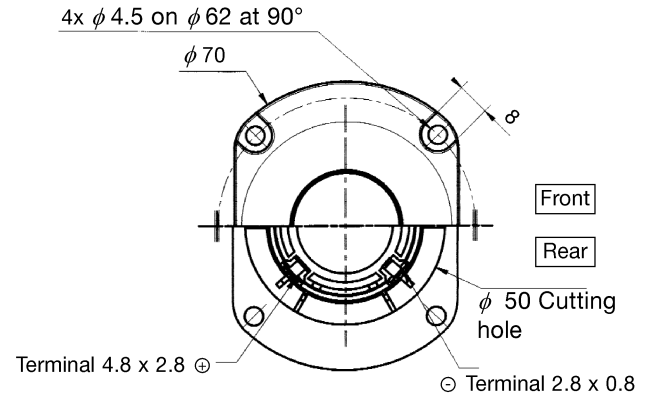
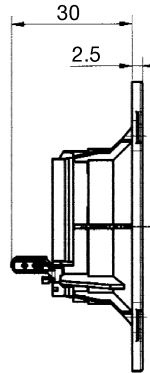
TM025F11 D08IIZ5470
101922A

TM025 . Rectangular . Titanium 8Ω 25 mm



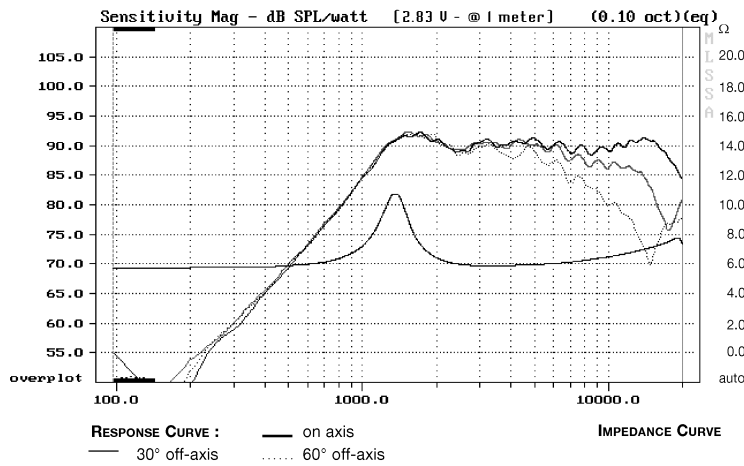
Nov .98

- Profile IV titanium diaphragm for smooth response
- Compact design for small high-end system, home theater, center channel, surround sound
- Smooth response face plate profile
- Ultra light copper clad aluminium wire coil
- Compact overmoulded magnet system Inherently shielded
- Ferrofluid cooled voice coil (new generation - 250 cps)
- Soft polymer suspension

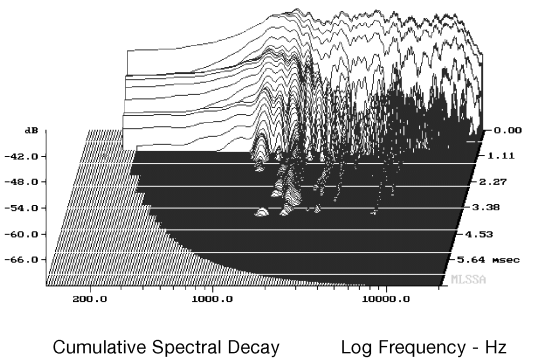


All dimensions in mm

Response Curve



Waterfall



SPECIFICATIONS

Technical characteristics	Symbol	Value	Units
PRIMARY APPLICATION			
Nominal Impedance	Z	8	Ω
Nominal Power Handling	P	60	W
VOICE COIL			
Number of Layers	-	2	-
Wire type	-	round	-
Wire material	-	Copper	-
Former material	-	Aluminium	-
Voice coil winding height	-	1,7	mm
Voice coil diameter	ϕ	25	mm

SPECIFICATIONS

Technical characteristics	Symbol	Value	Units
PARAMETERS			
Sensitivity (2,83 V - 1m)	E	90	dB
Speaker Mass	m	54	g
MAGNET			
Magnet dimensions	$\phi \times h$	25x3	mm
Magnetic Induction	B	1	T
Magnetic Stray Flux	Fmag	-	A/m
Gap Height	He	2	mm
Linear excursion Capability	Xmax	\pm	mm

Suggested Application

Crossover Frequency	Slope	Inductance	Capacitor	Power Handling
Hz	dB / Oct.	mH	mF	W
3700	6	-	6,8	50
2940	12	0,39	7,5	60