

AUDAX

LA PASSION DU HAUT-PARLEUR

TW014R5

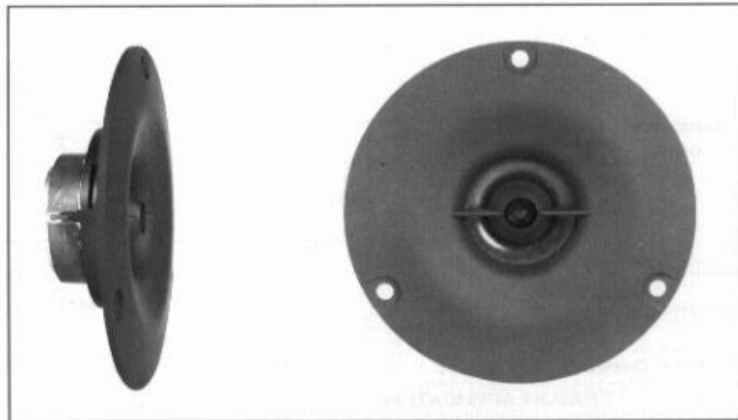
TWEETER

101170J

14 mm POLYMER DOME

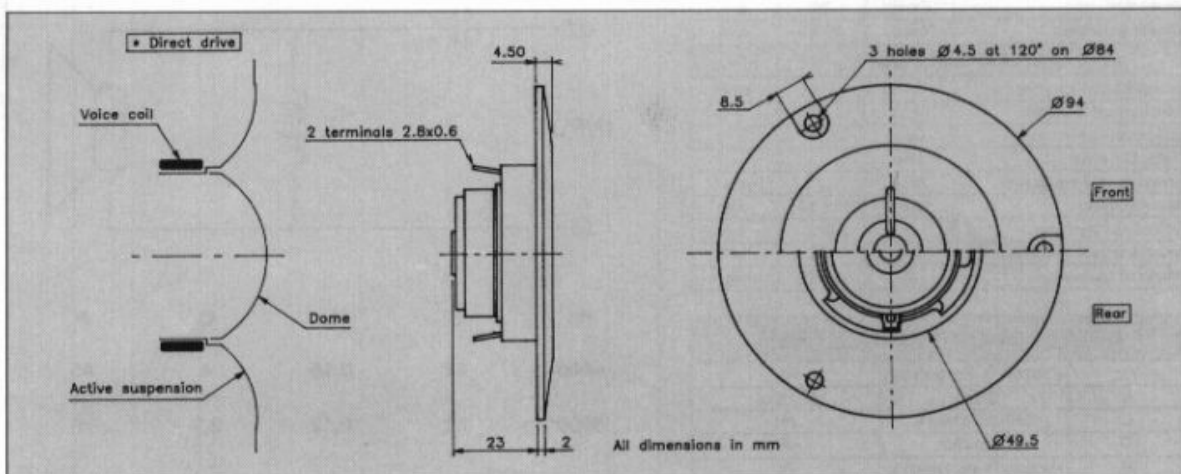
94 dB high efficiency direct drive*
Professional application
Ferrofluid - cooled voice coil
High power handling capability
High dynamic characteristics
Double magnet structure

Application professionnelle
Concept *direct drive**
Haut rendement - 94 dB
Bobine refroidie par ferrofluide
Puissance admissible importante
Grande capacité dynamique
Système double ferrite



The optimized profile of its horn load makes it suitable for professional use. Compact, 14 mm polymer dome tweeter. Ultra light moving parts with the voice coil directly wound onto the diaphragm according to the "direct drive" concept. The perfect transfer of energy is the source of its musical qualities, high definition and high efficiency. The voice coil wound onto the high temperature polymer is cooled with ferrofluid for high power handling. Easily coupled with 2nd order crossover as shown Fig 1. Two crossover points are suggested for adequate power handling.

Le profil optimisé du pavillon situe ce dôme de 14 mm dans la catégorie des utilisations professionnelles. Il doit la légèreté de son équipement mobile à son concept "direct drive" par lequel la bobine est réalisée directement sur le diaphragme. Le parfait transfert d'énergie est à l'origine de ses qualités musicales, de sa haute définition et de son haut rendement. Le concept "direct drive" couplé à la bobine refroidie par ferrofluide lui confère une puissance admissible importante dans sa catégorie. Il peut être filtré au second ordre (12 dB/Oct) selon le schéma Fig 1. Deux fréquences de coupure sont proposées afin d'obtenir la tenue en puissance adéquate.



TW014R5 D08YYH0094

101180K

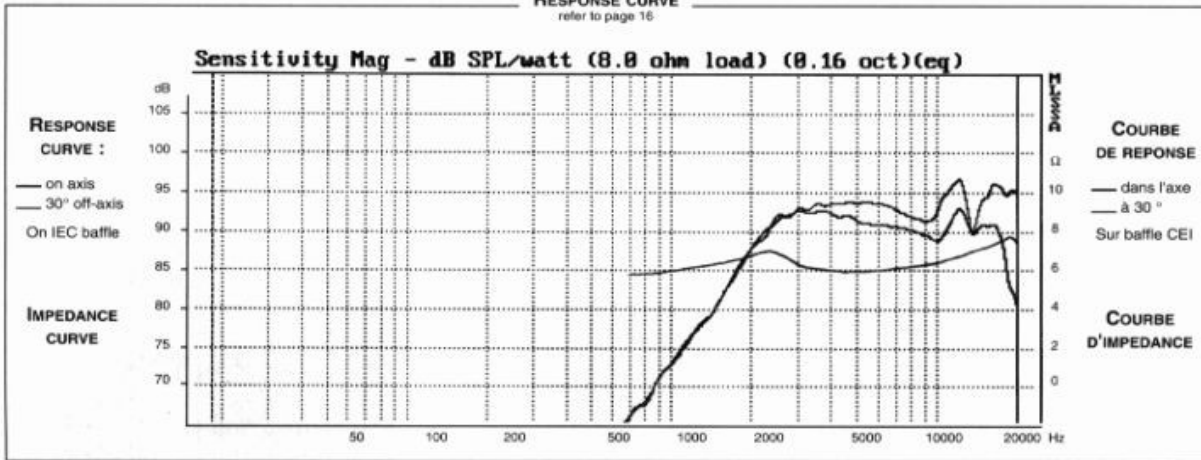
AUDAX

LA PASSION DU HAUT-PARLEUR

TW014R5

TWEETER

RESPONSE CURVE
refer to page 16



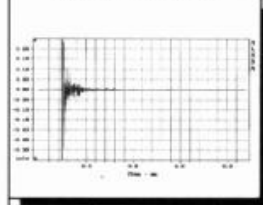
SPECIFICATIONS

Technical Characteristics	Symbol	Value	Units
PRIMARY APPLICATION			
Nominal Impedance	Z	8	Ω
Resonance Frequency	Fs	2050	Hz
Nominal Power Handling	P	45	W
Sensitivity	E	94	dB
VOICE COIL			
Voice coil diameter	Ø	14	mm
Minimum Impedance	Zmin	7,2	Ω
DC Resistance	Re	5,7	Ω
Voice Coil Inductance	Lbm	37	µH
Voice coil Length	h	2	mm
Former	-	Polymer	-
Number of layers	n	2	-
MAGNET			
Magnet dimensions	Ø x h	36 x 8	mm
Magnet weight	m	0,03	kg
Flux density	B	1,51	T
Force factor	BL	2	NA ⁻¹
Height of magnetic gap	He	1,5	mm
Stray flux	Fmag	36	Am ⁻¹
Linear excursion	Xmax	±0,25	mm
PARAMETERS			
Suspension Compliance	Cms	-	mN ⁻¹
Mechanical Q Factor	Qms	-	-
Electrical Q Factor	Qes	-	-
Total Q Factor	Qts	-	-
Mechanical Resistance	Rms	-	kg s ⁻¹
Moving Mass	Mms	0,19.10 ⁻³	kg
Effective Piston Area	S	6,6.10 ⁻⁴	m ²
Volume Equivalent of Air at Gas	Vas	-	m ³
Mass of speaker	M	0,095	kg

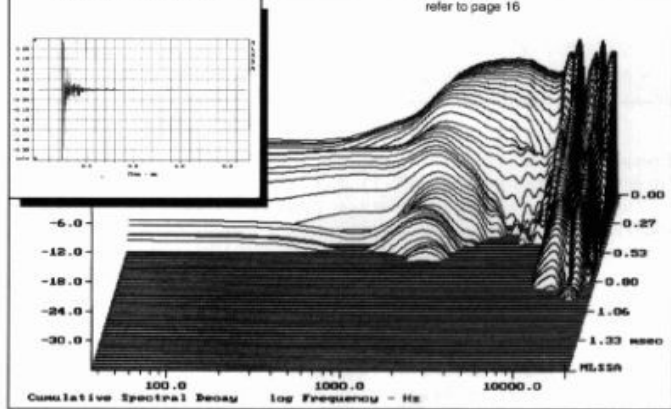
APPLICATION PARAMETERS

Fc	Crossover Frequency	Hz
S	Slope	dB / Oct.
L	Self-inductance	mH
C	Capacitor	µF
P	Nominal Power Handling	W

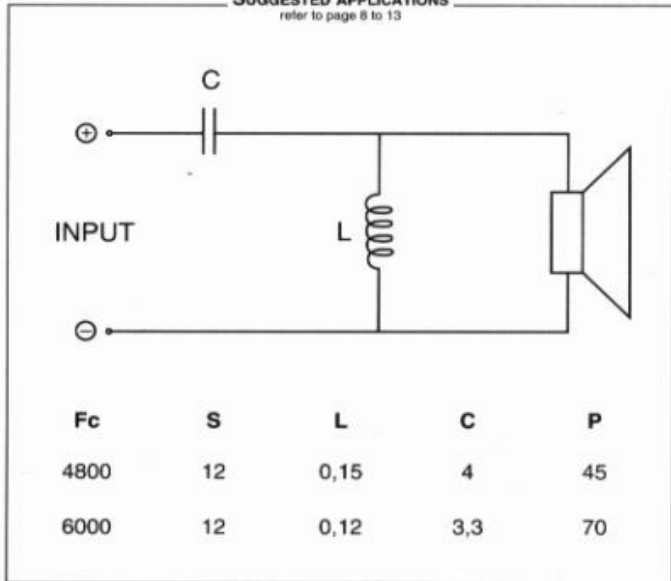
IMPULSE RESPONSE



WATERFALL
refer to page 16



SUGGESTED APPLICATIONS
refer to page 8 to 13



Please refer to method of measurement and measurement conditions pages 15 to 19.
Audax may, without prior notification modify the specifications on its products further to research and development requirements.