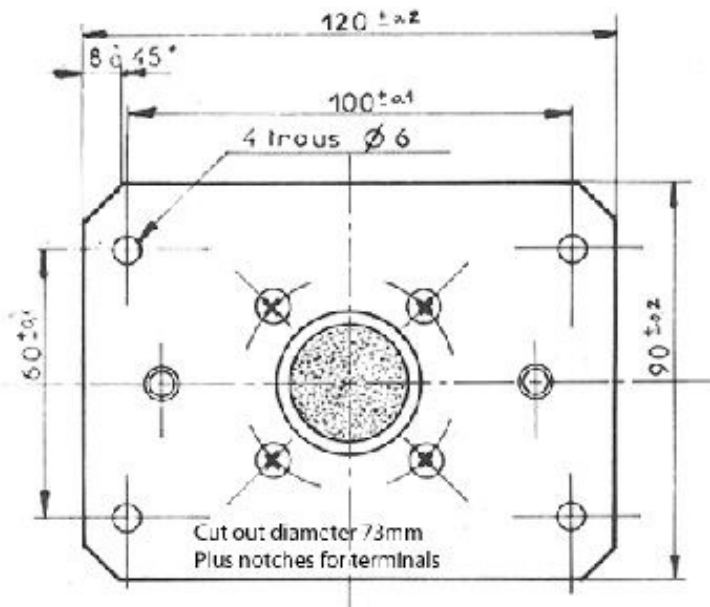


SPECIFICATIONS

Technical Characteristics	Symbol	Value	Units
PRIMARY APPLICATION			
Nominal Impedance	Z	8	Ω
Resonance Frequency	Fs	1200	Hz
Nominal Power Handling	P	70	W
Sensitivity	E	90	dB
VOICE COIL			
Voice coil diameter	\varnothing	25	mm
Minimum Impedance	Zmin	7	Ω
DC Resistance	Re	5,8	Ω
Voice Coil Inductance	Lbm	13	μ H
Voice coil Length	h	1,6	mm
Former	-	Aluminium	-
Number of layers	n	2	-
MAGNET			
Magnet dimensions	\varnothing x h	72 x 15	mm
Magnet weight	m	0,24	kg
Flux density	B	1,6	T
Force factor	BL	3,1	NA ⁻¹
Height of magnetic gap	He	3	mm
Stray flux	Fmag	110	Am ⁻¹
Linear excursion	Xmax	$\pm 0,3$	mm
PARAMETERS			
Suspension Compliance	Cms	-	mN ⁻¹
Mechanical Q Factor	Qms	-	-
Electrical Q Factor	Qes	-	-
Total Q Factor	Qts	-	-
Mechanical Resistance	Rms	-	kg s ⁻¹
Moving Mass	Mms	$0,29 \cdot 10^{-3}$	kg
Effective Piston Area	S	$6,2 \cdot 10^{-4}$	m ²
Volume Equivalent of Air at Cas	Vas	-	m ³
Mass of speaker	M	0,46	kg



Sensitivity Mag - dB SPL/watt (8.0 ohm load) (0.16 oct)(eq)

