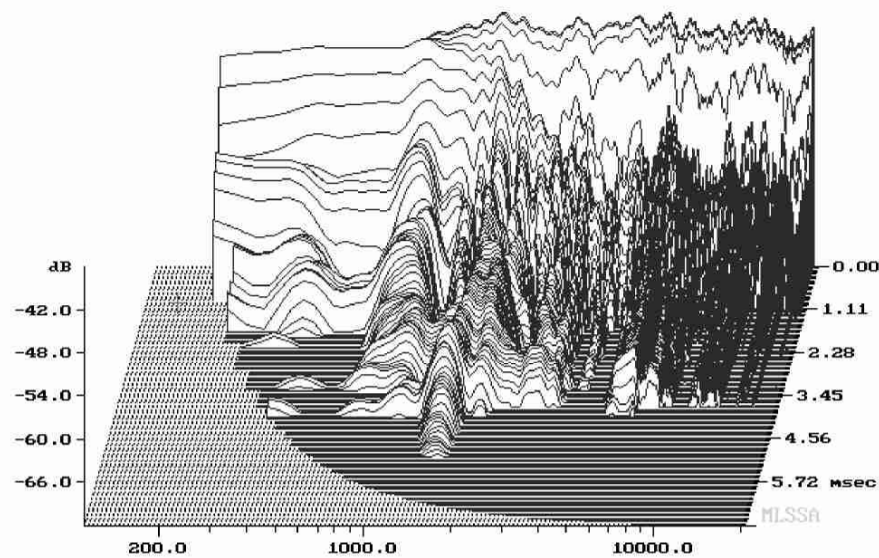
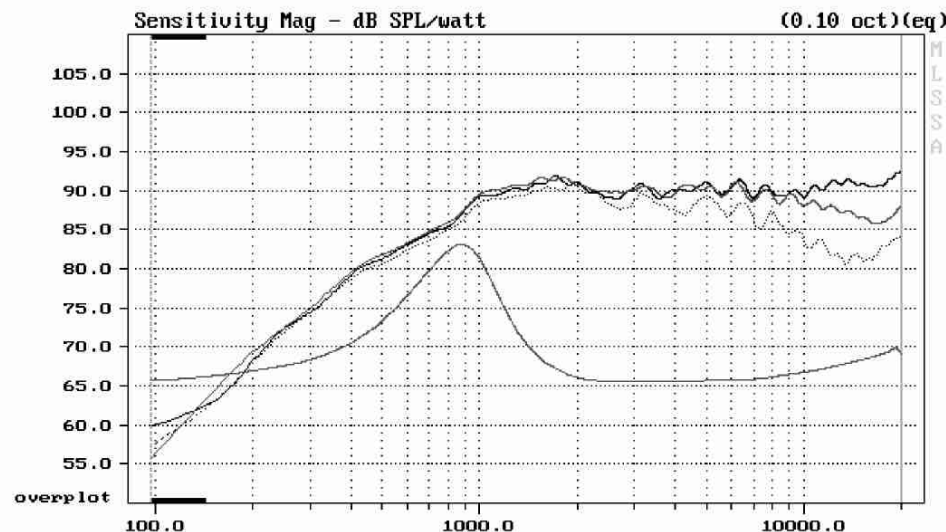
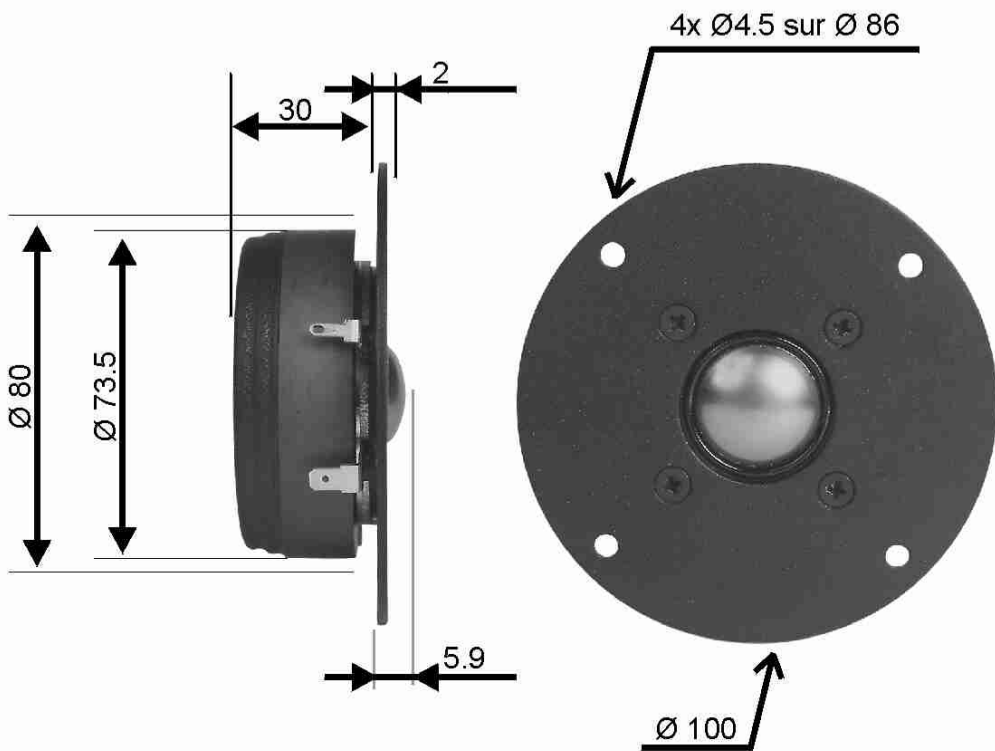


Very high efficiency and extended frequency response  
Titanium profile IV dome  
Solid aluminium face plate



Nominal impedance . . . 4 ohms	Voice coil diam. . . . . 25 mm
Resonance . . . . . 1050 Hz	Voice coil length . . . . . 1.7 mm
Power handling (IEC) . . . . 100 W	Former . . . . . aluminium
Sensitivity (2.83V/1m) . . . . 91.0 dB	Layer(s) . . . . . 2
Resistance (DC) . . . . . 3.8 ohms	Cone material . . . . . titanium
Inductance . . . . . - mH	Chassis . . . . . aluminium
Xmax. . . . . ± 0.35 mm	Total mass. . . . . 540 gr

Direct radiation dome for extremely good spacial dispersion