

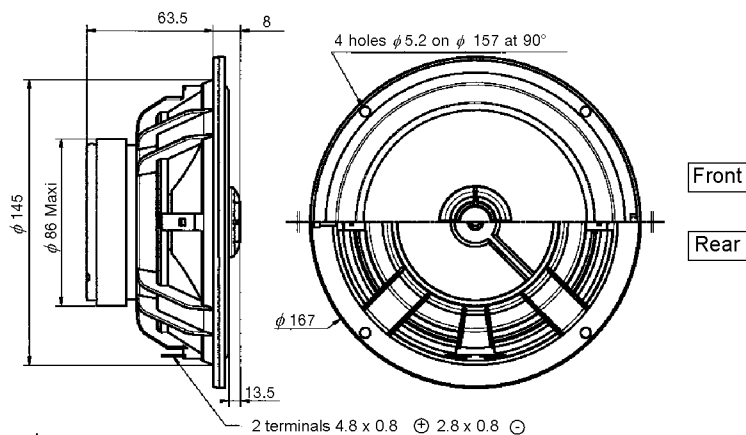
FULL RANGE

VP170Z2 X04ZGT3011
102192A

102442M

Feb. 2000

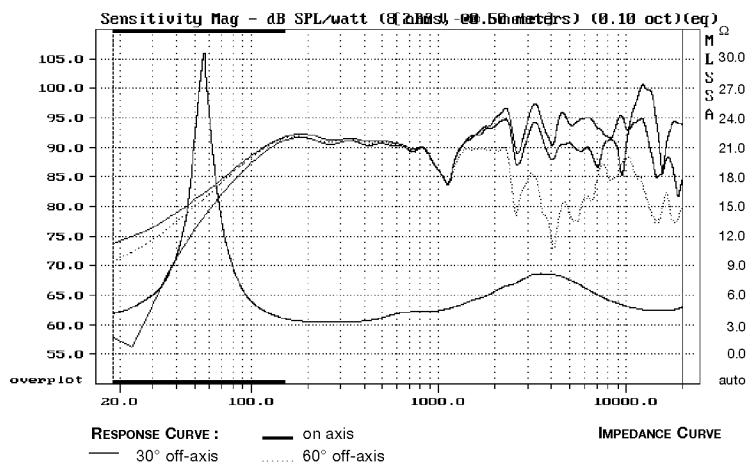
2 WAY COAXIAL 6^{1/2}" - HDA cone
High impact polymer chassis
1" textile dome



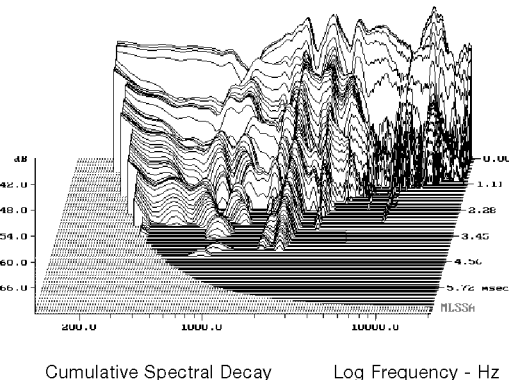
All dimensions in mm

- HDA (High Definition Aerogel) cone
- Non resonant - corrosion-free - High impact polymer chassis
- High-loss rubber surround
- Kapton former voice coil
- Gold plated terminals
- 1" Textile dome - neodymium magnet
- Built-in crossover (1st order)

Response Curve



Waterfall



SPECIFICATIONS

Technical characteristics	Symbol	Value	Units
PRIMARY APPLICATION			
Nominal Impedance	Z	4	Ω
Resonance Frequency	Fs	56,3	Hz
Nominal Power Handling	P	60	W
Sensitivity (2,83 V - 1m)	E	92	dB
VOICE COIL			
Voice Coil Diameter	ϕ	30	mm
Minimum Impedance	Zmin	3,1	Ω
DC Resistance	Dcr	2,94	Ω
Voice Coil Inductance	Lbm	0,54	mH
Voice Coil Length	h	12	mm
Former	-	kapton	-
Number of Layers	n	2	-
Wire type	-	round	-
Wire material	-	copper	-

MAGNET

Magnet Dimensions	ϕ x h	84 x 15	mm
Magnet Weight	m	310	K
Flux Density	B	1	T
Force Factor	BL	4,63	NA ⁻¹
Height of Magnetic Gap	He	5	mm
Stray Flux	Fmag	-	Am ⁻¹
Linear Excursion	Xmax	\pm 3,5	mm

PARAMETERS

Suspension Compliance	Cms	776	μ m/N
Mechanical Q Factor	Qms	4,64	-
Electrical Q Factor	Qes	0,50	-
Total Q Factor	Qts	0,45	-
Mechanical Resistance	Rms	0,78	kg s ⁻¹
Moving Mass	Mms	10,29	g
Effective Piston Area	S	132,7	cm ²
Volume Equivalent of Air at Cas	Vas	19,21	liters
Mass of Speaker	M	980	g

Suggested Applications

Vb	Fb	Dp	Lp	F-3
liters	Hz	cm	cm	Hz
30	49,9	6	7	45,4
20	50,9	6	12	53,2