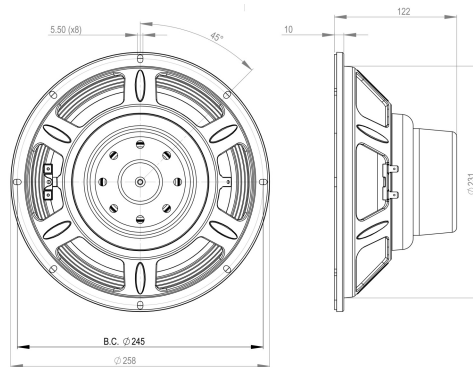


# 10CLA76

**8Ω****LF Drivers - 10.0 Inches**

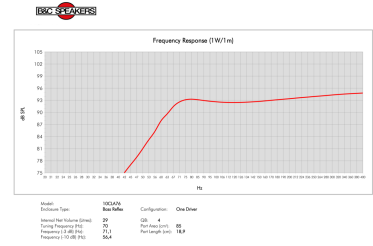
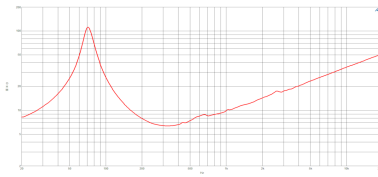
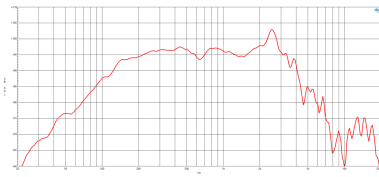
- 800 W continuous program power capacity
- 76 mm (3 in) aluminum voice coil
- 70 - 2500 Hz response
- 96.7 dB sensitivity
- Ventilated voice coil gap for reduced power compression



Careful optimization of our lightest woofer series, now offered with a high temperature copper-clad aluminum voice coil, is rewarded with higher sensitivity and smoother high frequency response. Larger motor makes these a good fit for many more applications, especially where flown, and manufacturing design means the CLA series can be price competitive with ferrite motor designs offering similar performance.

# 10CLA76

LF Drivers- 10.0 Inches



## SPECIFICATIONS

Nominal Diameter	250 mm (10.0 in)
Nominal Impedance	8 Ω
Minimum Impedance	6.5 Ω
Nominal Power Handling <sup>1</sup>	400 W
Continuous power handling <sup>2</sup>	800 W
Sensitivity (1W/1m) <sup>3</sup>	96.7 dB
Frequency Range	70 - 2500 Hz
Voice Coil Diameter	76 mm (3.0 in)
Winding Material	Aluminium
Former Material	Glass Fibre
Winding Depth	18.5 mm (0.73 in)
Magnetic Gap Depth	11.0 mm (0.43 in)
Flux Density	1.2 T

## MOUNTING AND SHIPPING INFO

Overall Diameter	258 mm (10.16 in)
Bolt Circle Diameter	245 mm (9.65 in)
Baffle Cutout Diameter	232.0 mm (9.13 in)
Depth	122 mm (4.8 in)
Flange and Gasket Thickness	10 mm (0.39 in)
Air Volume Occupied by Driver	1.6 dm <sup>3</sup> (0.06 ft <sup>3</sup> )
Net Weight	3.2 kg (7.05 lb)
Shipping Units	1
Shipping Weight	3.8 kg (8.38 lb)
Shipping Box	295x314x175 mm (11.61x12.36x6.89 in)

## DESIGN

Surround Shape	Triple Roll
Cone Shape	Exponential
Magnet Material	Neodymium Inside Slug
Spider	Single
Pole Design	T-Pole
Woofer Cone Treatment	TWP Waterproof Both Sides
Recommended Enclosure	29.0 dm <sup>3</sup> (1.02 ft <sup>3</sup> )
Recommended Tuning	70 Hz

## SERVICE KIT

Recone kit	RCK10CLA768
------------	-------------

## PARAMETERS<sup>4</sup>

Resonance Frequency	71 Hz
Re	5.2 Ω
Qes	0.3
Qms	6.72
Qts	0.29
Vas	16.4 dm <sup>3</sup> (0.58 ft <sup>3</sup> )
Sd	320.0 cm <sup>2</sup> (49.6 in <sup>2</sup> )
η <sub>0</sub>	1.92 %
Xmax	± 6.5 mm
Xvar	± 7.0 mm
Mms	44.7 g
Bl	18.55 Txm
Le	1.14 mH
EBP	236 Hz

1. 2 hours test made with continuous pink noise signal within the range Fs-10Fs. Power calculated on rated minimum impedance. Loudspeaker in free air.
2. Power on Continuous Program is defined as 3 dB greater than the Nominal rating.
3. Applied RMS Voltage is set to 2.83 V for 8 ohms Nominal Impedance.
4. Thiele-Small parameters are measured after a high level 20 Hz sine wave preconditioning test.