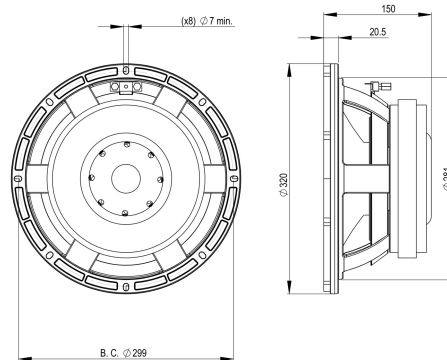


# 12FG100

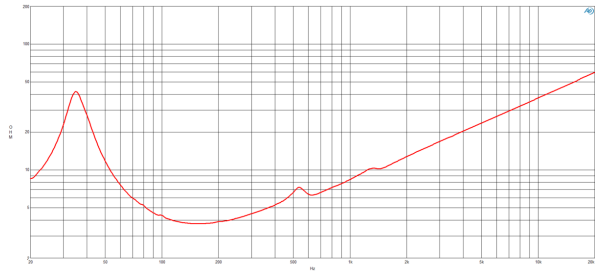
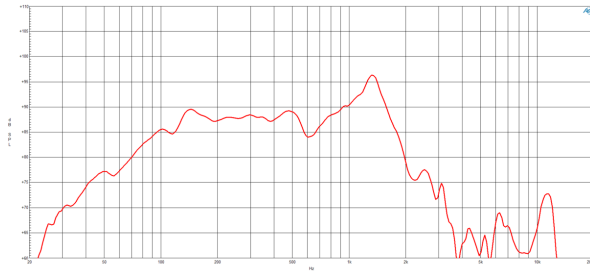
**4Ω****LF Drivers - 12.0 Inches**

- 2000 W continuous program power capacity
- 100 mm (4 in) copper voice coil
- 34 - 1000 Hz response
- 91 dB sensitivity
- Ferrite magnet assembly
- Aluminium demodulating ring for very low distortion
- Double silicone spider with optimized compliance
- Ventilated voice coil gap for reduced power compression



# 12FG100

## LF Drivers- 12.0 Inches



### SPECIFICATIONS

|  |                   |
|--|-------------------|
| Nominal Diameter                       | 320 mm (12.0 in)  |
| Nominal Impedance                      | 4 Ω               |
| Minimum Impedance                      | 2.9 Ω             |
| Nominal Power Handling <sup>1</sup>    | 1000 W            |
| Continuous Power Handling <sup>2</sup> | 2000 W            |
| Sensitivity <sup>3</sup>               | 91.0 dB           |
| Frequency Range                        | 34 - 1000 Hz      |
| Voice Coil Diameter                    | 100 mm (4.0 in)   |
| Winding Material                       | Copper            |
| Former Material                        | Glass Fibre       |
| Winding Depth                          | 26.5 mm (1.04 in) |
| Magnetic Gap Depth                     | 12.0 mm (0.47 in) |
| Flux Density                           | 1.1 T             |

### DESIGN

|                       |  |
|-----------------------|--|
| Surround Shape        | Roll   |
| Cone Shape            | Radial                                       |
| Magnet Material       | Ferrite Ring                                 |
| Spider                | Double Silicone                              |
| Pole Design           | T-Pole                                       |
| Woofer Cone Treatment | TWP Waterproof Both Sides                    |
| Recommended Enclosure | 50.0 dm <sup>3</sup> (1.77 ft <sup>3</sup> ) |
| Recommended Tuning    | 34 Hz  |

### PARAMETERS<sup>4</sup>

|                     |  |
|---------------------|--|
| Resonance Frequency | 34 Hz  |
| Re                  | 2.9 Ω  |
| Qes                 | 0.34   |
| Qms                 | 5.4  |
| Qts                 | 0.32   |
| Vas                 | 53.0 dm <sup>3</sup> (1.87 ft <sup>3</sup> )   |
| Sd                  | 522.0 cm <sup>2</sup> (80.91 in <sup>2</sup> ) |
| η <sub>o</sub>      | 0.57 %   |
| Xmax                | ± 10.3 mm                                      |
| Xvar                | ± 14.0 mm                                      |
| Mms                 | 161.9 g  |
| Bl                  | 17.24 Txm                                      |
| Le                  | 1.15 mH  |
| EBP                 | 100 Hz   |

### MOUNTING AND SHIPPING INFO

|                               |   |
|-------------------------------|---|
| Overall Diameter              | 320 mm (12.6 in)                            |
| Bolt Circle Diameter          | 299 mm (11.77 in)                           |
| Baffle Cutout Diameter        | 282.0 mm (11.1 in)                          |
| Depth                         | 150 mm (5.91 in)                            |
| Flange and Gasket Thickness   | 20 mm (0.81 in)                             |
| Air Volume Occupied by Driver | 3.0 dm <sup>3</sup> (0.11 ft <sup>3</sup> ) |
| Net Weight                    | 12.5 kg (27.56 lb)                          |
| Shipping Units                | 1   |
| Shipping Weight               | 13.4 kg (29.54 lb)                          |
| Shipping Box                  | 360x360x200 mm (14.17x14.17x7.87 in)        |

### SERVICE KIT

|            |             |
|------------|-------------|
| Recone kit | RCK12FG1004 |
|------------|-------------|

1. 2 hours test made with continuous pink noise signal within the range Fs-10Fs. Power calculated on rated minimum impedance. Loudspeaker in free air.
2. Power on Continuous Program is defined as 3 dB greater than the Nominal rating.
3. Applied RMS Voltage is set to 2 V for 4 ohms Nominal Impedance.
4. Thiele-Small parameters are measured after a high level 20 Hz sine wave preconditioning test.