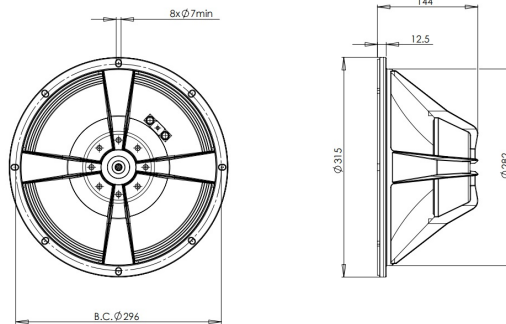


12HPL64

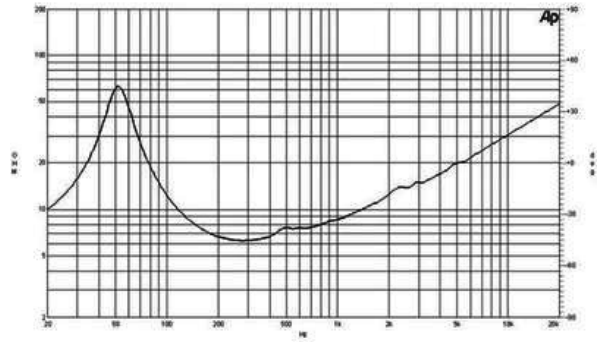
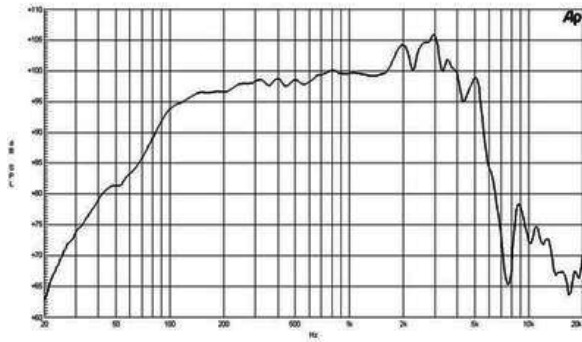
8Ω**LF Drivers - 12.0 Inches**

- 400 W continuous program power capacity
- 64 mm (2.5 in) aluminium voice coil
- 50 - 4000 Hz response
- 100 dB sensitivity
- Neodymium magnet allows a very light yet powerful motor assembly



12HPL64

LF Drivers- 12.0 Inches



SPECIFICATIONS

| | |
|--|------------------|
| Nominal Diameter | 320 mm (12.0 in) |
| Nominal Impedance | 8 Ω |
| Minimum Impedance | 6.5 Ω |
| Nominal Power Handling ¹ | 200 W |
| Continuous Power Handling ² | 400 W |
| Sensitivity ³ | 100.0 dB |
| Frequency Range | 50 - 4000 Hz |
| Voice Coil Diameter | 64 mm (2.5 in) |
| Winding Material | Aluminium |
| Former Material | Glass Fibre |
| Winding Depth | 13.0 mm (0.5 in) |
| Magnetic Gap Depth | 8.0 mm (0.31 in) |
| Flux Density | 1.25 T |

DESIGN

| | |
|-----------------------|--|
| Surround Shape | Triple Roll |
| Cone Shape | Exponential |
| Magnet Material | Neodymium Inside Slug |
| Spider | Single |
| Pole Design | Straight Pole |
| Woofer Cone Treatment | None |
| Recommended Enclosure | 60.0 dm ³ (2.12 ft ³) |
| Recommended Tuning | 60 Hz |

PARAMETERS⁴

| | |
|---------------------|---|
| Resonance Frequency | 52 Hz |
| Re | 6.0 Ω |
| Qes | 0.35 |
| Qms | 3.3 |
| Qts | 0.32 |
| Vas | 85.0 dm ³ (3.0 ft ³) |
| Sd | 522.0 cm ² (80.9 in ²) |
| η_0 | 3.3 % |
| Xmax | 4.0 mm |
| Maximum Excursion | 4.5 mm |
| Mms | 42.0 g |
| Bl | 14.9 Txm |
| Le | 1.1 mH |
| EBP | 148 Hz |

MOUNTING AND SHIPPING INFO

| | |
|-------------------------------|--|
| Overall Diameter | 315 mm (12.4 in) |
| Bolt Circle Diameter | 296 mm (11.6 in) |
| Baffle Cutout Diameter | 282.0 mm (11.1 in) |
| Depth | 144 mm (5.7 in) |
| Flange and Gasket Thickness | 13 mm (0.5 in) |
| Air Volume Occupied by Driver | 0.0 dm ³ (0.0 ft ³) |
| Net Weight | 2.1 kg (4.6 lb) |
| Shipping Units | 1 |
| Shipping Weight | 3.0 kg (6.61 lb) |
| Shipping Box | 360x360x200 mm (14.17x14.17x7.87 in) |

SERVICE KIT

RCK012HPL648

1. 2 hours test made with continuous pink noise signal within the range Fs-10Fs. Power calculated on rated nominal impedance. Loudspeaker in free air.
2. Power on Continuous Program is defined as 3 dB greater than the Nominal rating.
3. Applied RMS Voltage is set to 2.83 V for 8 ohms Nominal Impedance.
4. Thiele-Small parameters are measured after a high level 20 Hz sine wave preconditioning test.