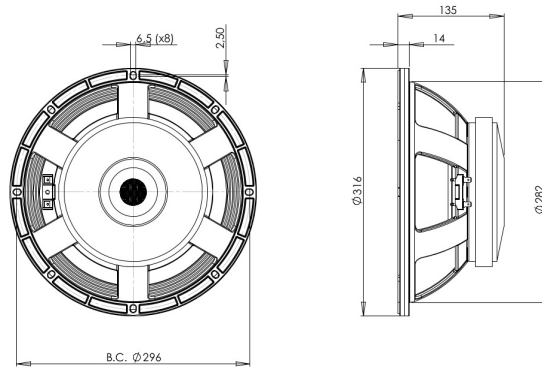


# 12MH801

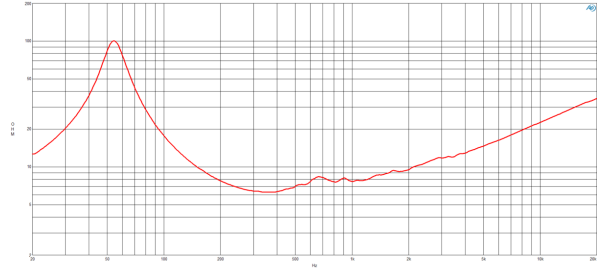
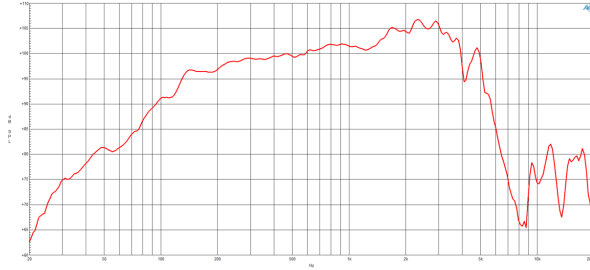
**8Ω****LF Drivers - 12.0 Inches**

- 700 W continuous program power capacity
- 76 mm (3 in) aluminum voice coil
- 55 - 5000 Hz response
- 100 dB sensitivity
- Aluminum demodulating ring allows a very low distortion figure



# 12MH801

LF Drivers- 12.0 Inches



## SPECIFICATIONS

|  |                   |
|--|-------------------|
| Nominal Diameter                       | 320 mm (12.0 in)  |
| Nominal Impedance                      | 8 Ω               |
| Minimum Impedance                      | 6.3 Ω             |
| Nominal Power Handling <sup>1</sup>    | 350 W             |
| Continuous Power Handling <sup>2</sup> | 700 W             |
| Sensitivity <sup>3</sup>               | 100.0 dB          |
| Frequency Range                        | 55 - 5000 Hz      |
| Voice Coil Diameter                    | 76 mm (3.0 in)    |
| Winding Material                       | Aluminum          |
| Former Material                        | Glass Fibre       |
| Winding Depth                          | 16.0 mm (0.63 in) |
| Magnetic Gap Depth                     | 8.0 mm (0.31 in)  |
| Flux Density                           | 1.45 T            |

## DESIGN

|                       |           |
|-----------------------|-----------|
| Surround Shape        | Accordion |
| Cone Shape            | Radial    |
| Magnet Material       | Ferrite   |
| Spider                | Single    |
| Pole Design           | T-Pole    |
| Woofer Cone Treatment | None      |

## PARAMETERS<sup>4</sup>

|                     |  |
|---------------------|--|
| Resonance Frequency | 53 Hz  |
| Re                  | 5.0 Ω  |
| Qes                 | 0.22   |
| Qms                 | 5.6  |
| Qts                 | 0.21   |
| Vas                 | 76.0 dm <sup>3</sup> (2.68 ft <sup>3</sup> )   |
| Sd                  | 522.0 cm <sup>2</sup> (80.91 in <sup>2</sup> ) |
| η <sub>o</sub>      | 4.82 %   |
| Xmax                | ± 6.0 mm                                       |
| Xvar                | ± 7.0 mm                                       |
| Mms                 | 46.0 g   |
| Bl                  | 18.6 T·m                                       |
| Le                  | 0.57 mH  |
| EBP                 | 240 Hz   |

## MOUNTING AND SHIPPING INFO

|                             |   |
|-----------------------------|---|
| Overall Diameter            | 316 mm (12.44 in)                           |
| Bolt Circle Diameter        | 296 mm (11.6 in)                            |
| Baffle Cutout Diameter      | 282.0 mm (11.1 in)                          |
| Depth                       | 135 mm (5.31 in)                            |
| Flange and Gasket Thickness | 14 mm (0.55 in)                             |
| Air Volume Occupied by Horn | 3.3 dm <sup>3</sup> (0.12 ft <sup>3</sup> ) |
| Net Weight                  | 7.4 kg (16.31 lb)                           |
| Shipping Units              | 1   |
| Shipping Weight             | 8.3 kg (18.3 lb)                            |
| Shipping Box                | 360x360x200 mm (14.17x14.17x7.87 in)        |

## SERVICE KIT

|            |             |
|------------|-------------|
| Recone kit | RCK12MH8018 |
|------------|-------------|

1. 2 hours test made with continuous pink noise signal within the range Fs-10Fs. Power calculated on rated minimum impedance. Loudspeaker in free air.
2. Power on Continuous Program is defined as 3 dB greater than the Nominal rating.
3. Applied RMS Voltage is set to 2.83 V for 8 ohms Nominal Impedance.
4. Thiele-Small parameters are measured after a high level 20 Hz sine wave preconditioning test.

**B&C Speakers s.p.a.**

Via Poggiomoro, 1 - Loc. Vallina, 50012 Bagno a Ripoli (FI) - ITALY - Tel. +39 055 65721 - Fax +39 055 6572312 - mail@bcspeakers.com