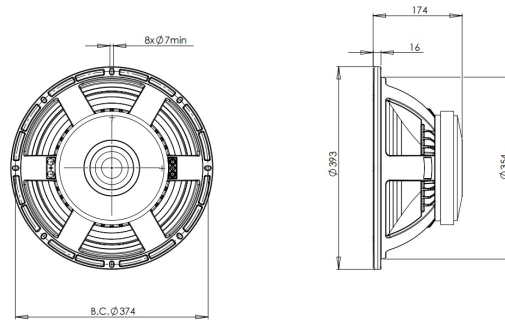


# 15PZB100

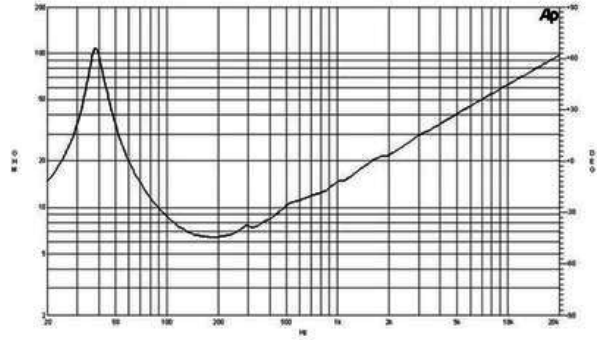
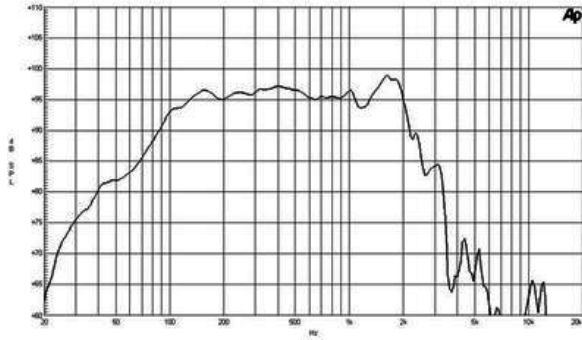
**8Ω****LF Drivers - 15.0 Inches**

- 1400 W continuous program power capacity
- 100 mm (4 in) copper voice coil
- 40- 2000 Hz response
- 97 dB sensitivity
- Double silicone spider with optimized compliance



# 15PZB100

LF Drivers- 15.0 Inches



## SPECIFICATIONS

Nominal Diameter	380 mm (15.0 in)
Nominal Impedance	8 $\Omega$
Minimum Impedance	6.4 $\Omega$
Nominal Power Handling <sup>1</sup>	700 W
Continuous Power Handling <sup>2</sup>	1400 W
Sensitivity <sup>3</sup>	97.0 dB
Frequency Range	40 - 2000 Hz
Voice Coil Diameter	100 mm (4.0 in)
Winding Material	Copper
Former Material	Glass Fibre
Winding Depth	21.0 mm (0.83 in)
Magnetic Gap Depth	9.0 mm (0.35 in)
Flux Density	1.15 T

## DESIGN

Surround Shape	Double Roll
Cone Shape	Exponential
Magnet Material	Ferrite
Spider	Double Silicone
Pole Design	Straight Pole
Woofer Cone Treatment	TWP Waterproof Both Sides
Recommended Enclosure	105.0 dm <sup>3</sup> (3.7 ft <sup>3</sup> )
Recommended Tuning	39 Hz

## PARAMETERS<sup>4</sup>

Resonance Frequency	39 Hz
Re	5.2 $\Omega$
Qes	0.3
Qms	6.5
Qts	0.29
Vas	110.0 dm <sup>3</sup> (3.8 ft <sup>3</sup> )
Sd	855.0 cm <sup>2</sup> (132.5 in <sup>2</sup> )
$\eta^0$	2.1 %
Xmax	8.0 mm
Maximum Excursion	6.5 mm
Mms	154.0 g
Bl	25.8 Txm
Le	2.0 mH
EBP	130 Hz

## MOUNTING AND SHIPPING INFO

Overall Diameter	393 mm (15.5 in)
Bolt Circle Diameter	374 mm (14.7 in)
Baffle Cutout Diameter	354.0 mm (13.9 in)
Depth	174 mm (6.85 in)
Flange and Gasket Thickness	16 mm (0.62 in)
Air Volume Occupied by Driver	5.2 dm <sup>3</sup> (0.18 ft <sup>3</sup> )
Net Weight	11.8 kg (26.0 lb)
Shipping Units	1
Shipping Weight	13.1 kg (28.8 lb)
Shipping Box	425x425x224 mm (16.73x16.73x8.82 in)

## SERVICE KIT

RCK15PZB1008

1. 2 hours test made with continuous pink noise signal within the range Fs-10Fs. Power calculated on rated nominal impedance. Loudspeaker in free air.
2. Power on Continuous Program is defined as 3 dB greater than the Nominal rating.
3. Applied RMS Voltage is set to 2.83 V for 8 ohms Nominal Impedance.
4. Thiele-Small parameters are measured after a high level 20 Hz sine wave preconditioning test.

**B&C Speakers s.p.a.**

Via Poggiomoro, 1 - Loc. Vallina, 50012 Bagno a Ripoli (FI) - ITALY - Tel. +39 055 65721 - Fax +39 055 6572312 - mail@bcspeakers.com