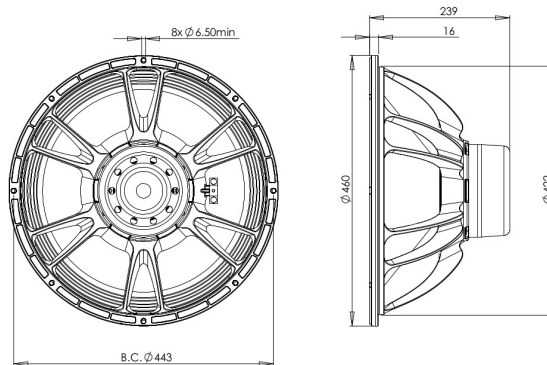


# 18DS100

**8Ω****LF Drivers - 18.0 Inches**

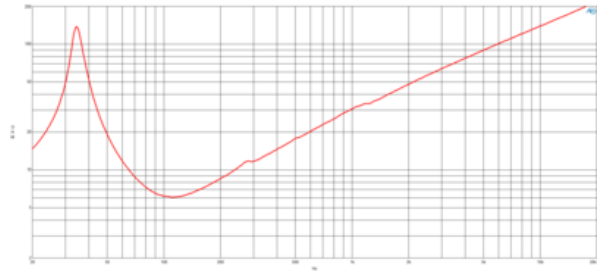
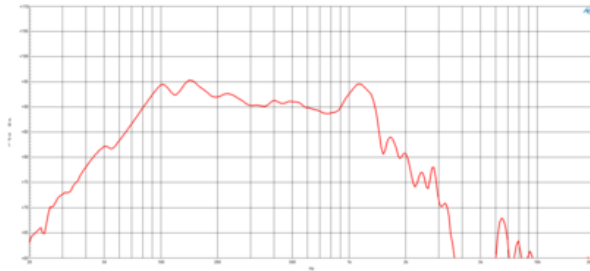
- 3000 W continuous program power capacity
- 100 mm (4 in) copper voice coil
- 34 - 1000 Hz response
- 97.5 dB sensitivity
- Double silicone spider with optimized compliance
- Ventilated voice coil gap for reduced power compression
- Aluminium demodulating ring for very low distortion



This next evolution subwoofer uses a new, longer, four layer aluminum voice coil. The result is less heat, more energy in the gap, higher sensitivity, higher power handling, lower distortion and better overall performance. The 18DS100 features a 34mm long, 4 inch diameter (100mm) Copper Clad Aluminum Wire voice coil. With a 1500watt AES power rating, 97.5 dB sensitivity, and over 14.0mm of Xvar, this high energy subwoofer is a significant step forward from similar models in the B&C range.

# 18DS100

## LF Drivers- 18.0 Inches



### SPECIFICATIONS

|  |                   |
|--|-------------------|
| Nominal Diameter                       | 460 mm (18.0 in)  |
| Nominal Impedance                      | 8 Ω               |
| Minimum Impedance                      | 6.1 Ω             |
| Nominal Power Handling <sup>1</sup>    | 1500 W            |
| Continuous Power Handling <sup>2</sup> | 3000 W            |
| Sensitivity <sup>3</sup>               | 97.5 dB           |
| Frequency Range                        | 34 - 1000 Hz      |
| Voice Coil Diameter                    | 100 mm (4.0 in)   |
| Winding Material                       | Aluminium         |
| Former Material                        | Glass Fibre       |
| Winding Depth                          | 37.0 mm (1.46 in) |
| Magnetic Gap Depth                     | 16.0 mm (0.63 in) |
| Flux Density                           | 0.7 T             |

### DESIGN

|                       |   |
|-----------------------|---|
| Surround Shape        | Triple Roll                                   |
| Cone Shape            | Radial  |
| Magnet Material       | Neodymium Inside Slug                         |
| Spider                | Double Silicone                               |
| Pole Design           | T-Pole  |
| Woofer Cone Treatment | TWP Waterproof Both Sides                     |
| Recommended Enclosure | 200.0 dm <sup>3</sup> (7.06 ft <sup>3</sup> ) |
| Recommended Tuning    | 35 Hz   |

### PARAMETERS<sup>4</sup>

|                     |  |
|---------------------|--|
| Resonance Frequency | 34 Hz  |
| Re                  | 4.5 Ω  |
| Qes                 | 0.3  |
| Qms                 | 9.5  |
| Qts                 | 0.29   |
| Vas                 | 155.0 dm <sup>3</sup> (5.47 ft <sup>3</sup> )    |
| Sd                  | 1210.0 cm <sup>2</sup> (187.55 in <sup>2</sup> ) |
| η <sub>o</sub>      | 2.1 %  |
| Xmax                | 14.5 mm  |
| Xvar                | 14.0 mm  |
| Mms                 | 278.0 g  |
| Bl                  | 30.0 Txm   |
| Le                  | 4.4 mH   |
| EBP                 | 113 Hz   |

### MOUNTING AND SHIPPING INFO

|                               |  |
|-------------------------------|--|
| Overall Diameter              | 460 mm (18.11 in)                            |
| Bolt Circle Diameter          | 443 mm (17.44 in)                            |
| Baffle Cutout Diameter        | 422.0 mm (16.61 in)                          |
| Depth                         | 239 mm (9.41 in)                             |
| Flange and Gasket Thickness   | 16 mm (0.63 in)                              |
| Air Volume Occupied by Driver | 10.0 dm <sup>3</sup> (0.35 ft <sup>3</sup> ) |
| Net Weight                    | 10.5 kg (23.15 lb)                           |
| Shipping Units                | 1  |
| Shipping Weight               | 12.3 kg (27.12 lb)                           |
| Shipping Box                  | 500x500x300 mm (19.69x19.69x11.81 in)        |

### SERVICE KIT

RCK18DS1008

1. 2 hours test made with continuous pink noise signal within the range Fs-10Fs. Power calculated on rated minimum impedance. Loudspeaker in free air.
2. Power on Continuous Program is defined as 3 dB greater than the Nominal rating.
3. Applied RMS Voltage is set to 2.83 V for 8 ohms Nominal Impedance.
4. Thiele-Small parameters are measured after a high level 20 Hz sine wave preconditioning test.