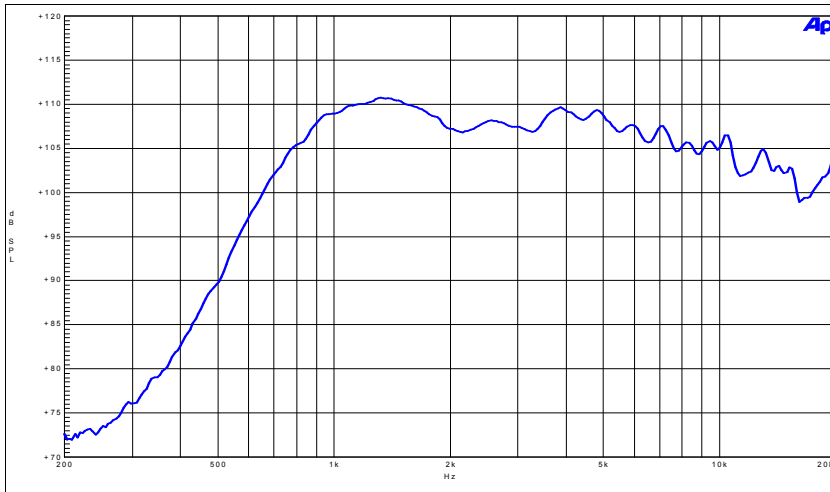




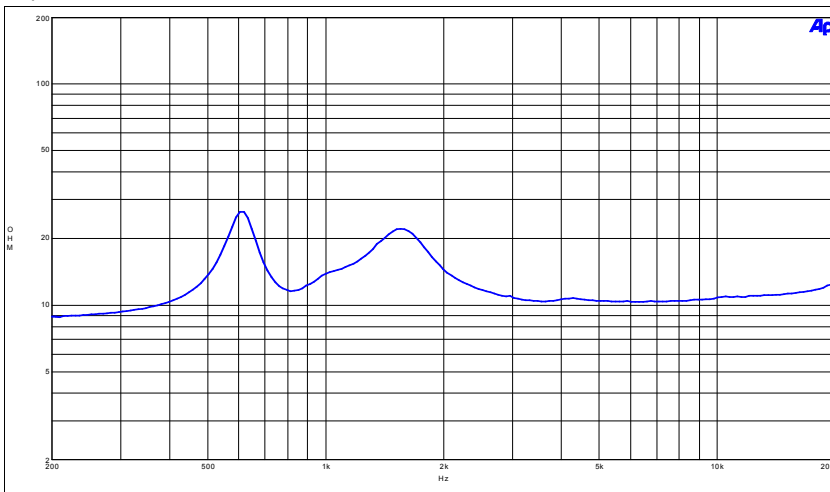
DE250TN-16

Rev: 0

Frequency Response



Impedance



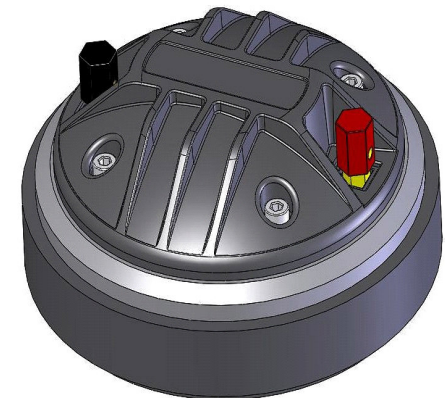
Specifications ¹

Throat Diameter	1"
Nominal Impedance	16 Ω
Minimum Impedance	10,4 Ω
Power Handling (1,5 - 20 kHz)	
Nominal ²	60 W
Continuous Program ³	120 W
Sensitivity (1W/1m) ⁴	107,3 dB
Frequency Range	1-18 kHz
Recommended Crossover ⁵	1,5 kHz
Voice Coil Diameter	44 mm
Winding Material	Aluminium
Inductance	0,14 mH
Diaphragm Material	Titanium
Flux Density	1,65 T

- (1) Driver mounted on B&C ME 45 horn
- (2) 2 hours test made with continuous pink noise signal (6 dB crest factor) within the specified range. Power calculated on rated minimum impedance.
- (3) Power on Continuous Program is defined as 3 dB greater than the Nominal rating.
- (4) Applied RMS Voltage is set to 4V for 16 ohms Nominal Impedance. Average SPL from 1200 to 18000 Hz
- (5) 12 dB/oct. or higher slope high-pass filter.

Mounting Information

Two M6 holes 180° on 76 mm (3 in) diameter	
Three M6 holes 120° on 57 mm (2.2 in) diameter	
Overall Diameter	120 mm
Depth	62 mm
Net Weight	2,1 kg



17/07/2012