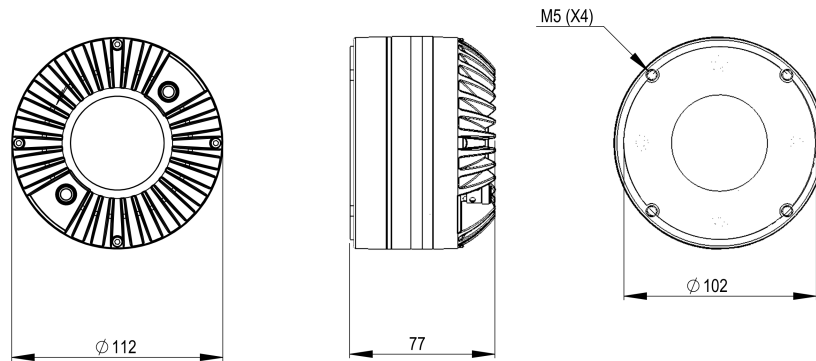


DE785TN

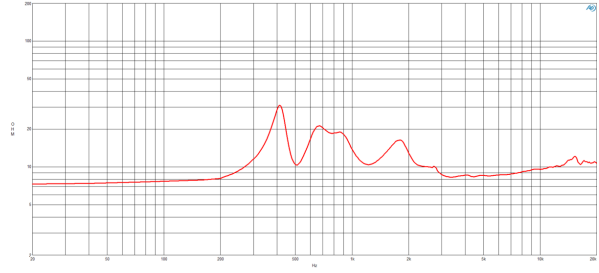
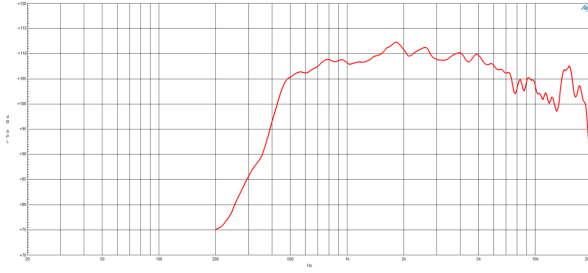
8Ω**HF Drivers - 2.0 Inches**

- 220 W continuous program power capacity
- 2" horn throat diameter
- 75 mm (3 in) aluminum voice coil
- Titanium diaphragm
- 500 - 18000 Hz response
- 107.5 dB sensitivity
- Neodymium magnet assembly with shorting copper cap

While shrink-ray technology may not have escaped the 1990s, we have succeeded in creating two more highly compact drivers, not only permitting close spacing but also reducing weight and cost at the same time. In a larger, 3" coil we now offer the DE785: Designed with a sonic character like our famous DE950TN, but in a 112mm diameter package weighing only 4 lb (1.8kg). Continuous power handling of 220W combined with 107.5dB sensitivity primes this driver for consideration in a new generation of lighter, more compact line array loudspeakers.

DE785TN

HF Drivers- 2.0 Inches



SPECIFICATIONS¹

Throat Diameter	50 mm (2.0 in)
Nominal Impedance	8 Ω
Minimum Impedance	8.3 Ω
Nominal Power Handling ²	110 W
Continuous Power Handling ³	220 W
Sensitivity ⁴	107.5 dB
Frequency Range	0.5 - 18.0 kHz
Recommended Crossover ⁵	1.0 kHz
Voice Coil Diameter	75 mm (3.0 in)
Winding Material	Aluminium
Inductance	0.17 mH
Diaphragm Material	Titanium
Flux Density	1.95 T
Magnet Material	Neodymium Ring

MOUNTING AND SHIPPING INFO

Four M5 holes 90° on 102 mm (4 in) diameter	
Overall Diameter	112 mm (4.41 in)
Depth	77 mm (3.03 in)
Net Weight	1.8 kg (4.0 lb)
Shipping Units	4
Shipping Weight	7.8 kg (17.2 lb)
Shipping Box	295x160x180 mm (11.61x6.30x7.09 in)
Other Details	4x M5 Mounting Studs with bolts and washers included

SERVICE KIT

Replacement diaphragm	MMD3FTN8M
-----------------------	-----------

1. Driver mounted on B&C ME 60 horn.
2. 2 hour test made with continuous pink noise signal within the range from the recommended crossover frequency to 20 kHz. Power calculated on rated minimum impedance.
3. Power on Continuous Program is defined as 3 dB greater than the Nominal rating.
4. Applied RMS Voltage is set to 2.83 V for 8 ohms Nominal Impedance.
5. 12 dB/oct. or higher slope high-pass filter.