

# BOX10 – B&C Speakers 2 way box kit

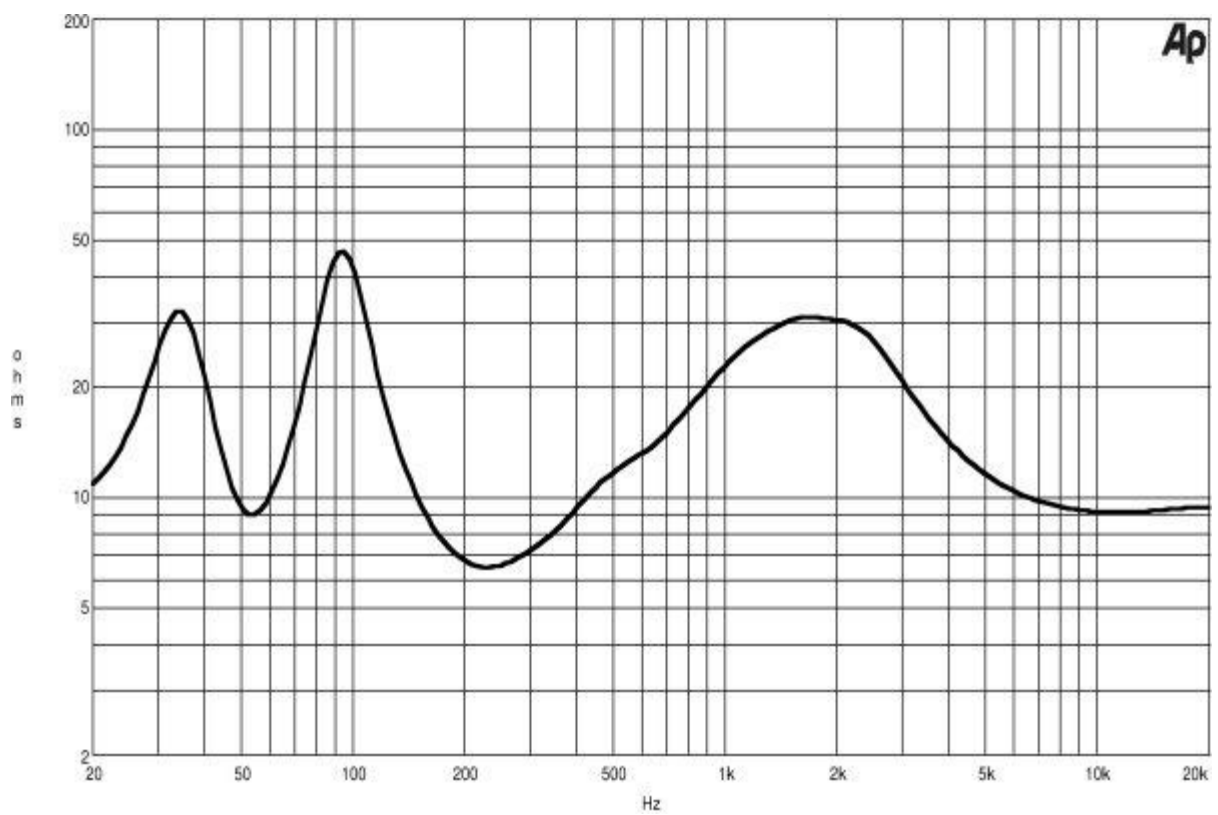
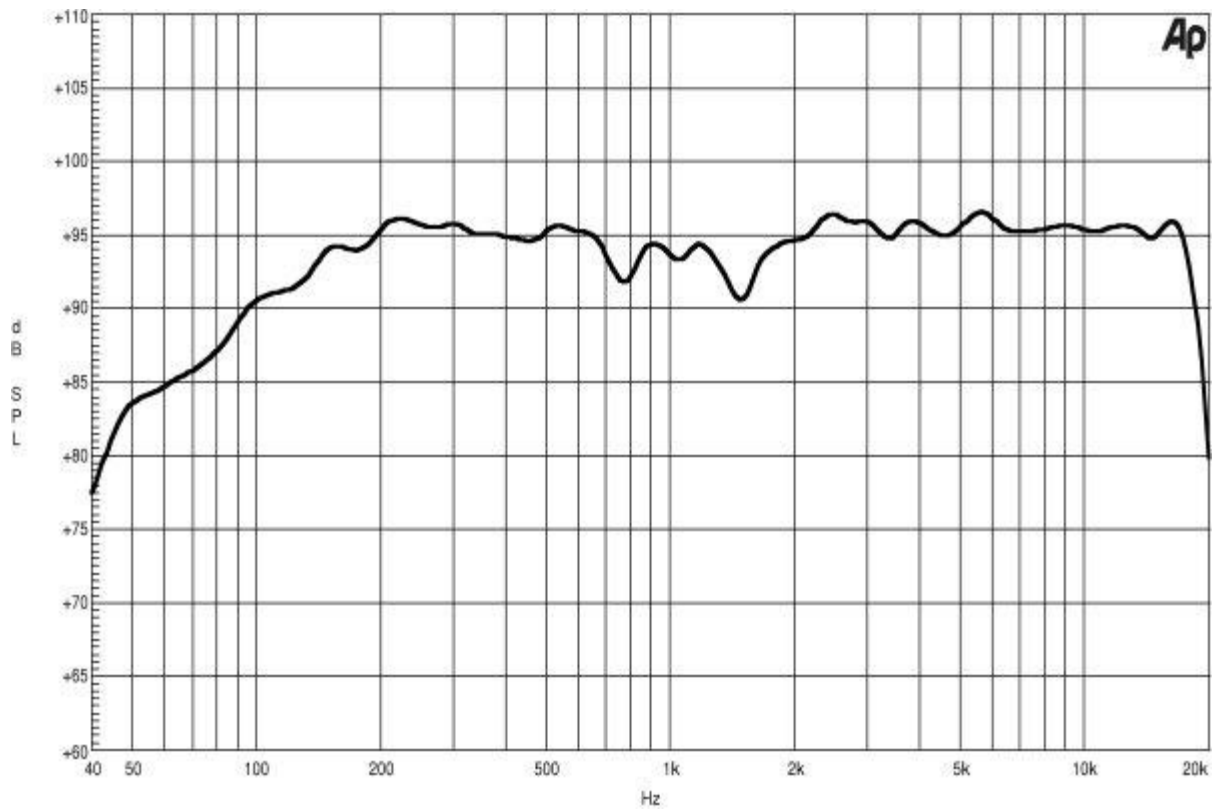
## **Cabinet Type Bass Reflex**

Cabinet Type Bass Reflex  
Box Volume 33 Dm3  
Tuning Frequency 55 Hz  
Crossover Frequency 2 kHz  
Nominal Impedance 8 ohm  
Minimum Impedance 6.5 ohm  
Frequency Range 75 - 20000 Hz  
Continuous Power Handling 400 W  
Nominal Power Handling (AES) 200 W  
Sensitivity (1W/1m) 95 dB  
Max Peak SPL 127 dB  
Max Long SPL 121 dB

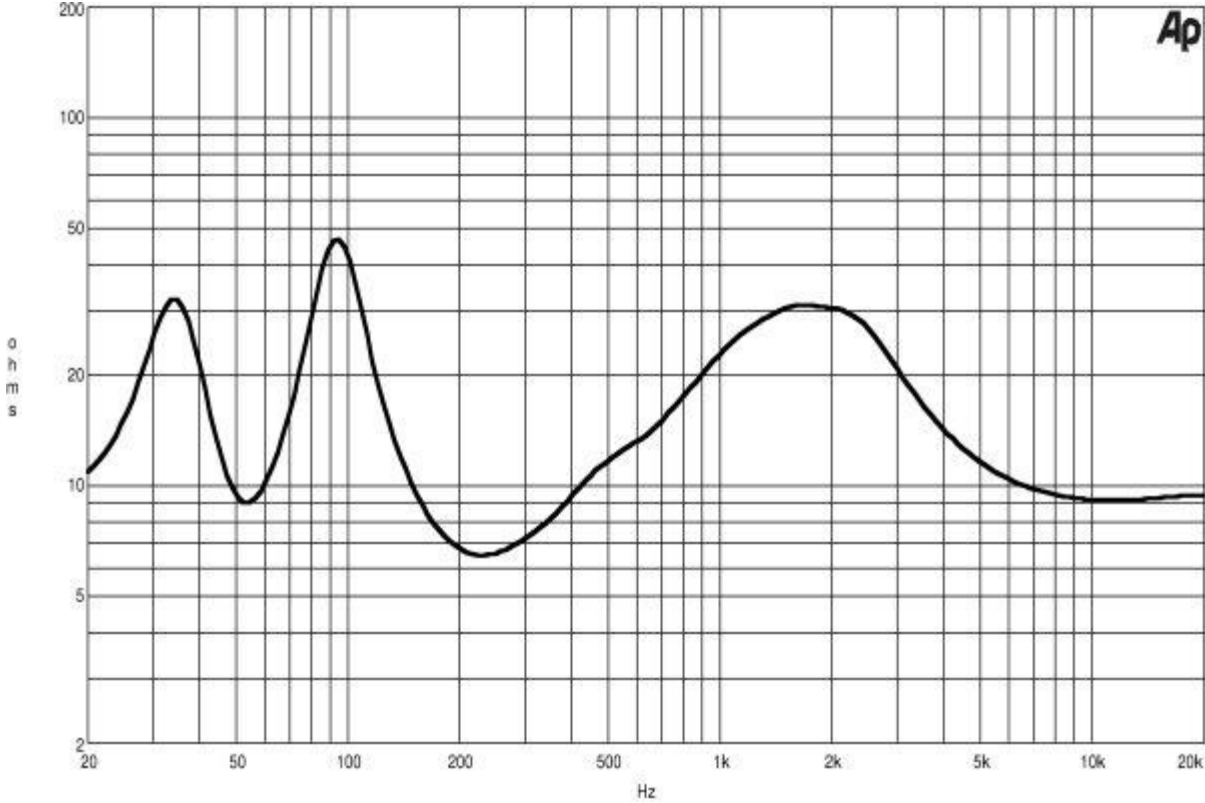
## **Components**

LF Drivers 10NDL64  
HF Drivers DE160  
Horns ME10

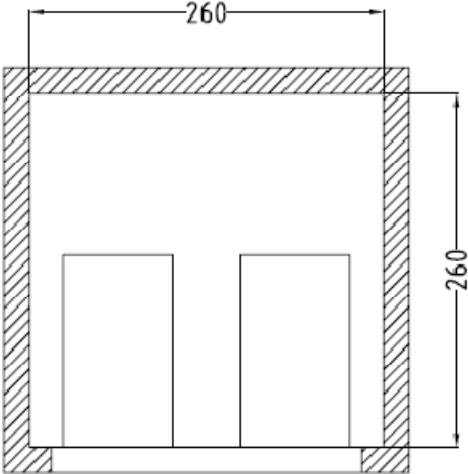
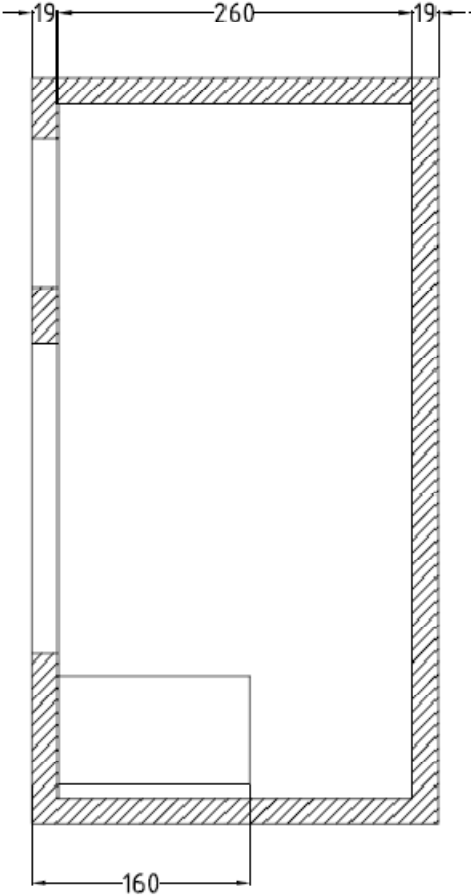
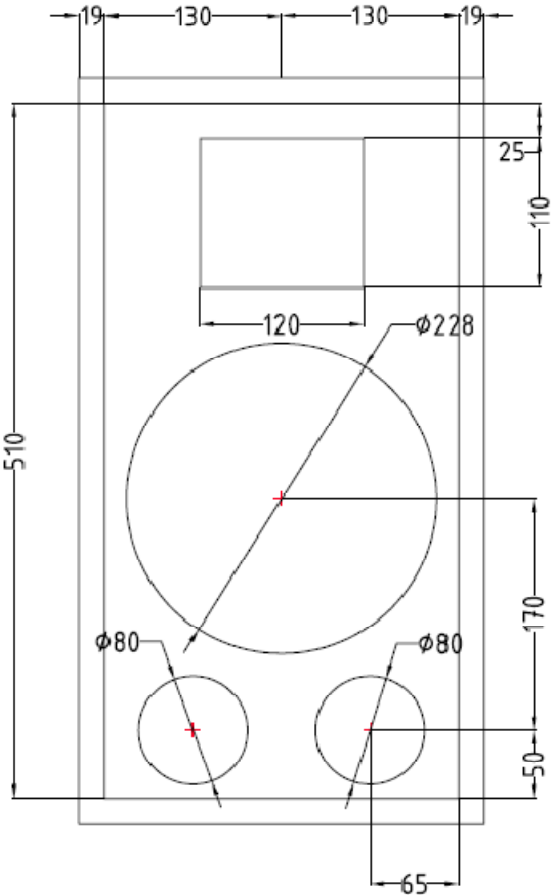
## Graphs



Crossover



Drawing



BOX 10

Internal Volume: 33 liters  
Tuning Frequency = 65 Hz