

BOX8 – B&C Speakers 2 way box kit

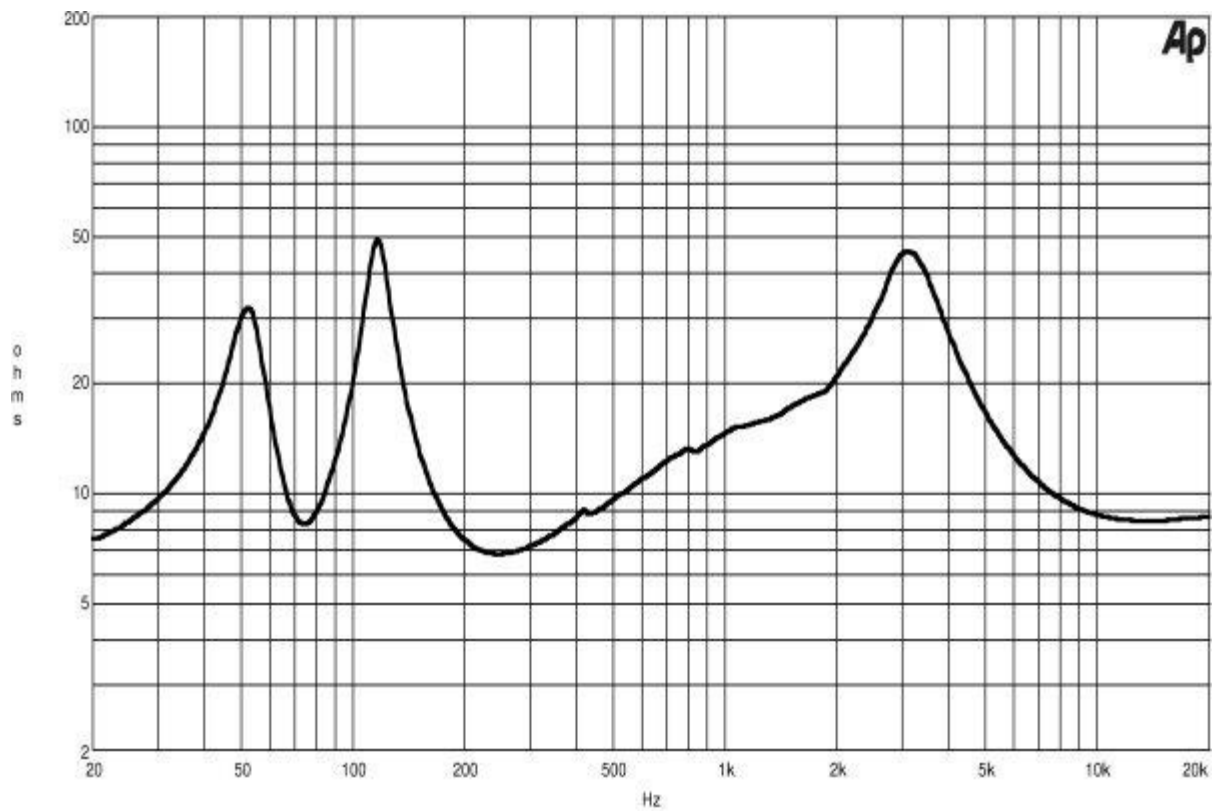
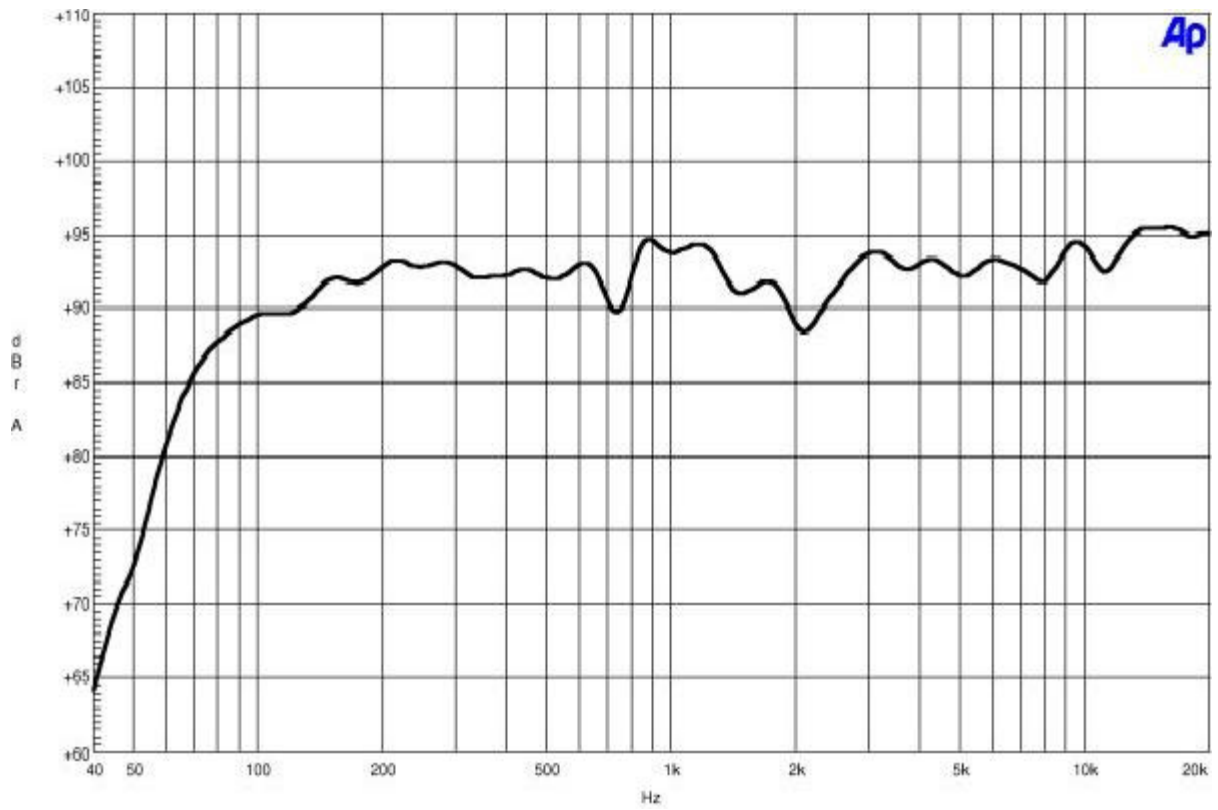
Cabinet Type Bass Reflex

Box Volume 16 Dm³
Tuning Frequency 75 Hz
Crossover Frequency 2.5 kHz
Nominal Impedance 8 ohm
Minimum Impedance 7 ohm
Frequency Range 75 - 20000 Hz
Continuous Power Handling 300 W
Nominal Power Handling (AES) 150 W
Sensitivity (1W/1m) 92.5 dB
Max Peak SPL 123 dB
Max Long SPL 117 dB

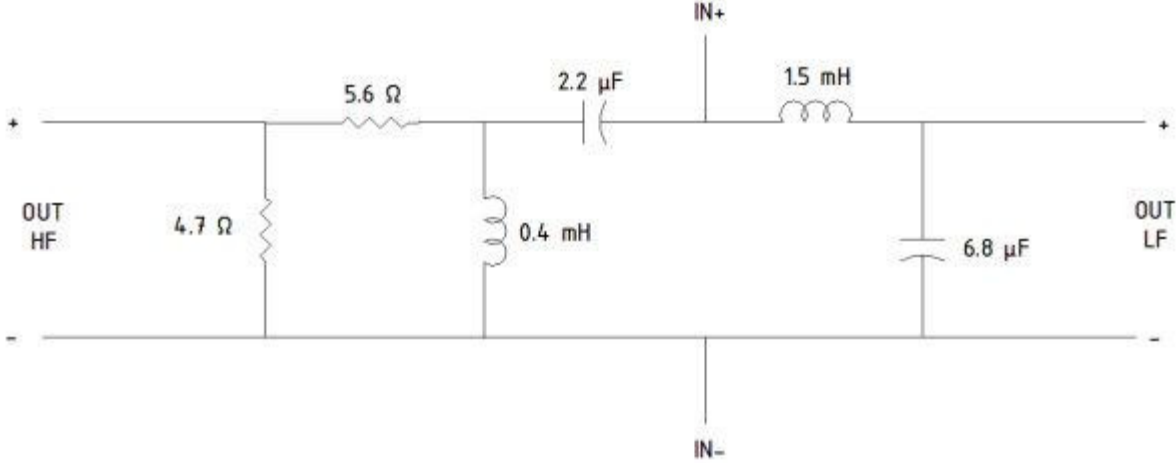
Components

LF Drivers 8PS21
HF Drivers DE12
Horns ME10

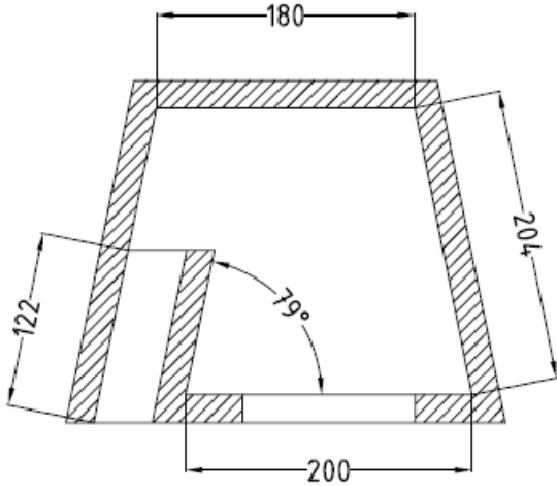
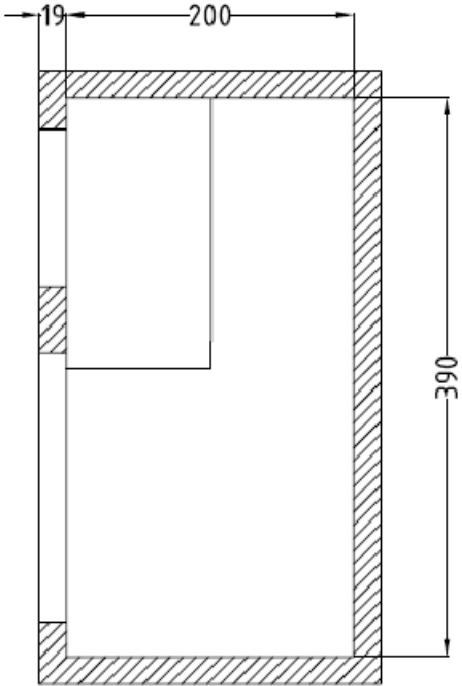
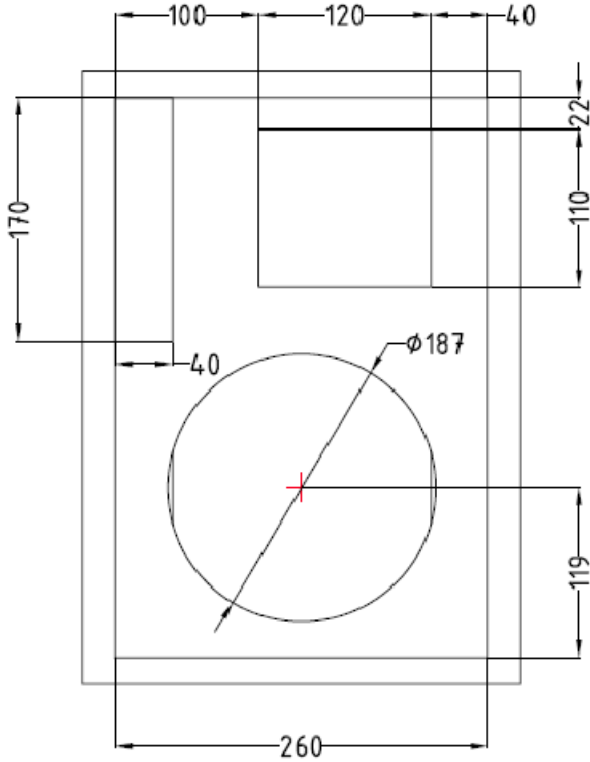
Graphs



Crossover



Drawing



BOX 8

Internal Volume: 16 liters
Tuning Frequency = 65 Hz