



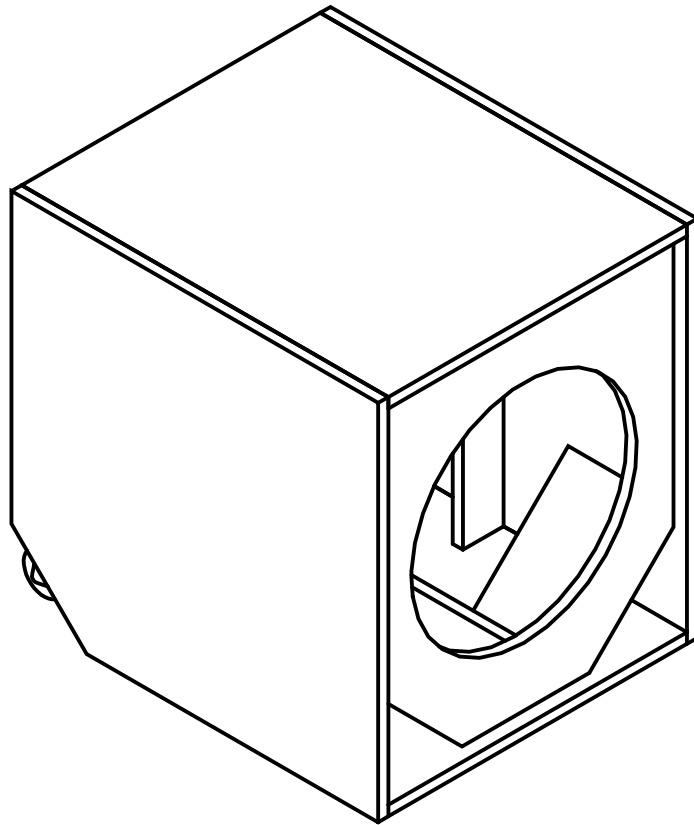
S18BN

Subwoofer

B&C Component Options

18SW115 8 ohm

www.bcspeakers.com



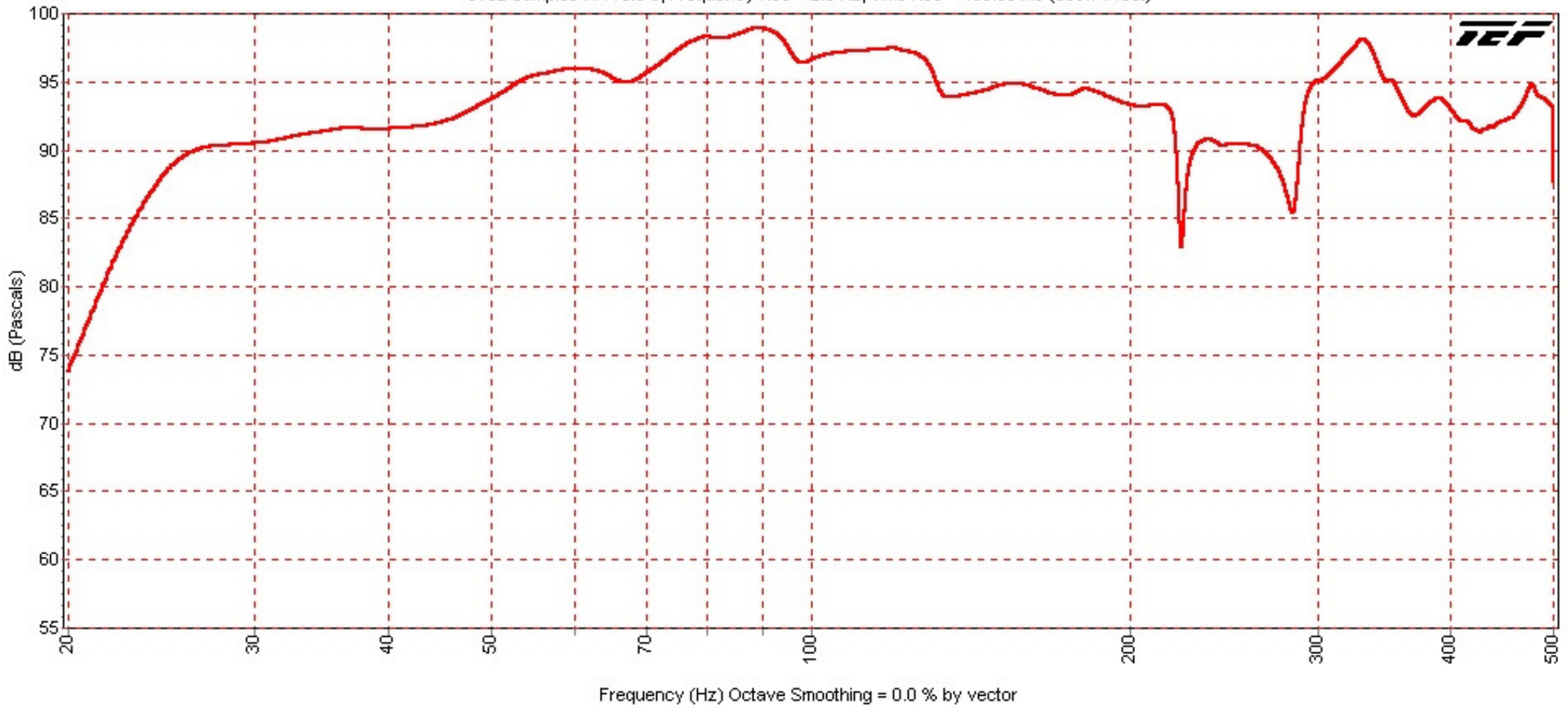
S18BN

Material 18mm Birch Plywood

spl b-c 18sw115
1/6/10 4:45:03 AM Speaker Lab
spl correct

spl b-c 18sw115.tds

8192 Samples in 119.5 s, Frequency Res = 2.0 Hz, Time Res = 498.89 ms (563.74 feet)

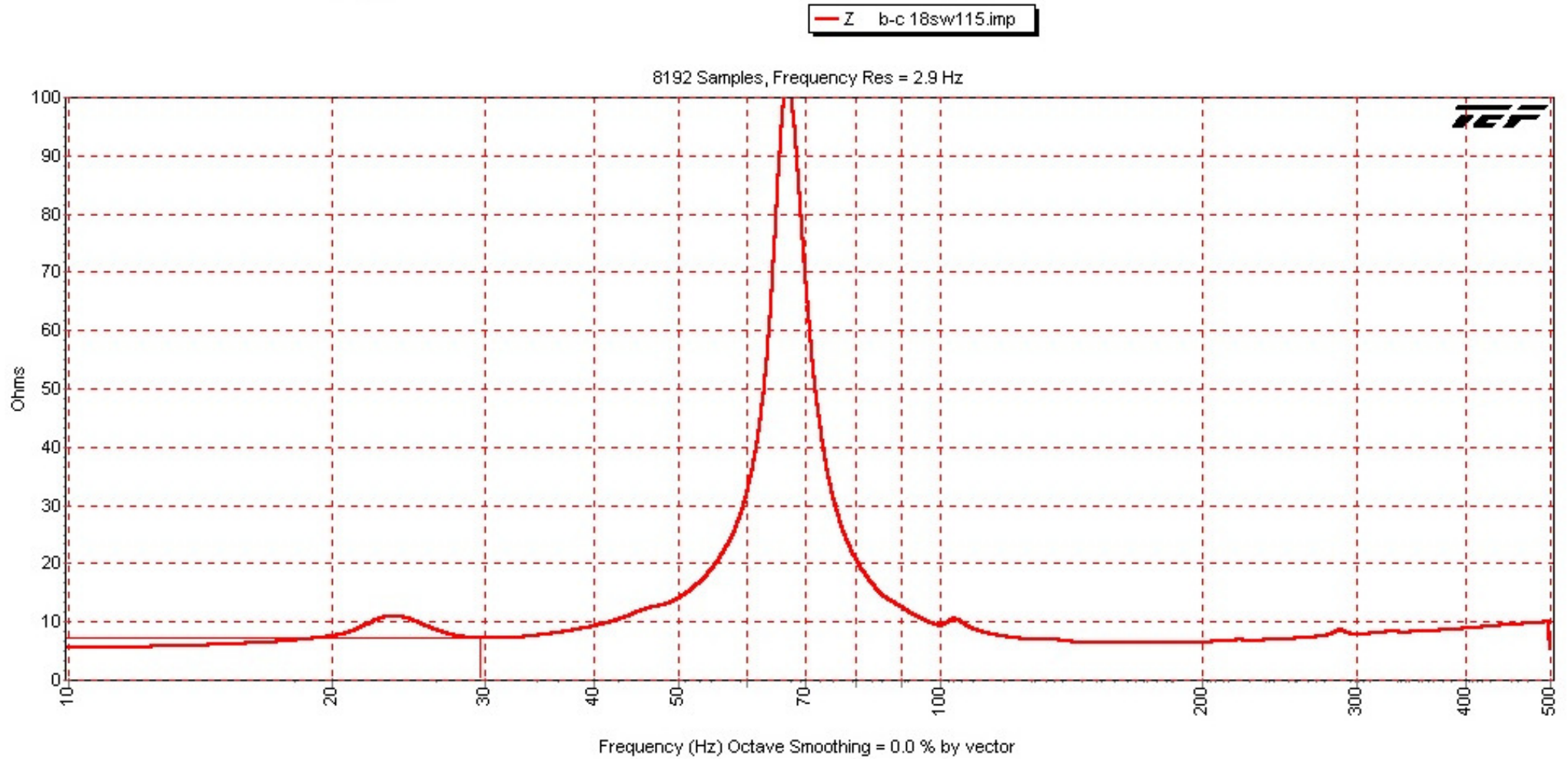


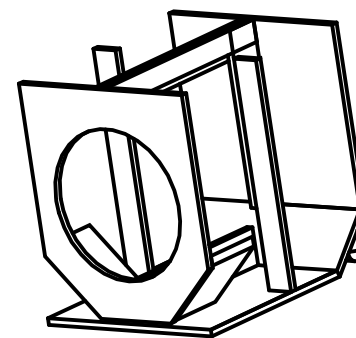
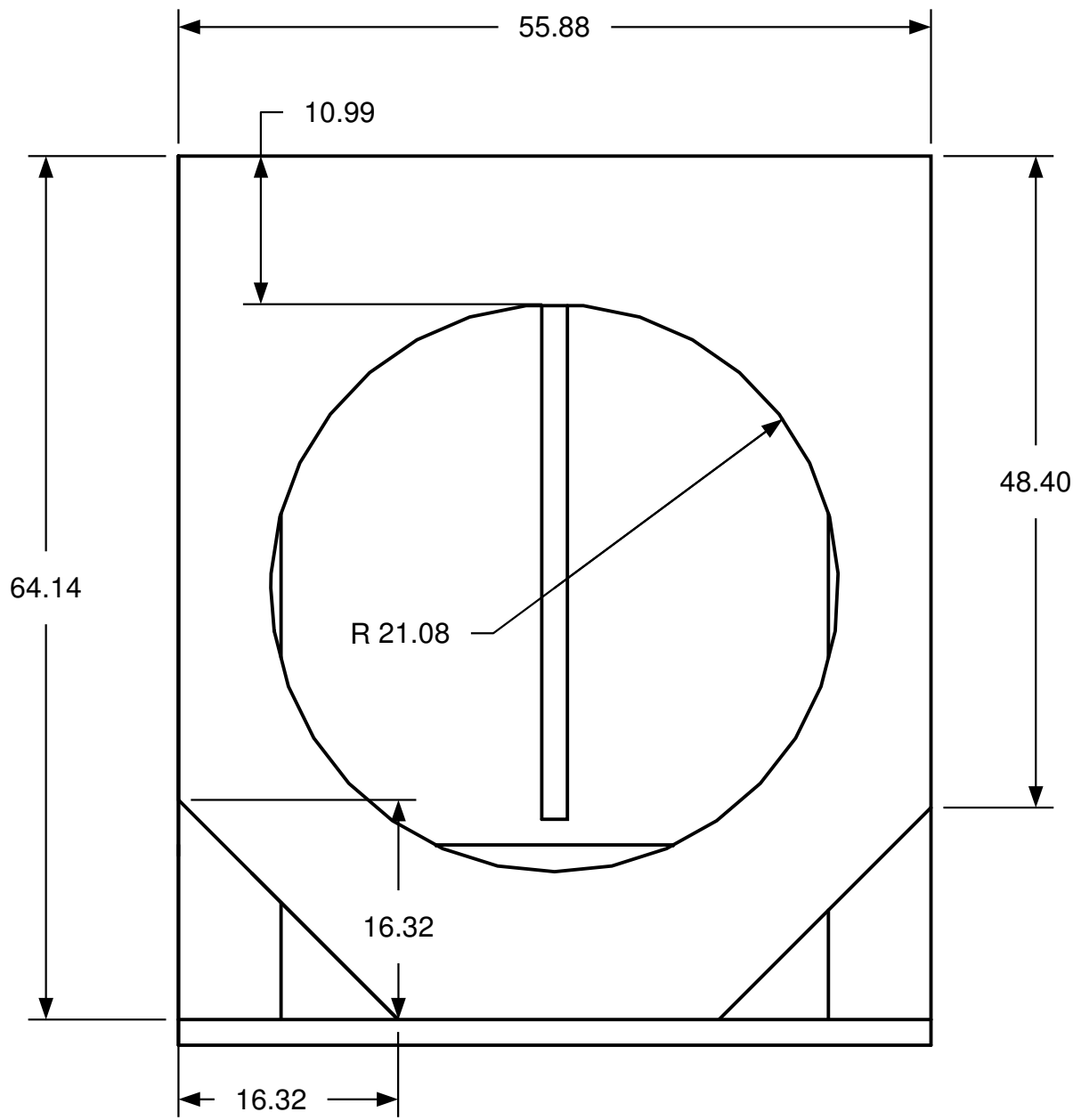
Z b-c 18sw115

Speaker Lab 1/6/10 5:03:50 AM

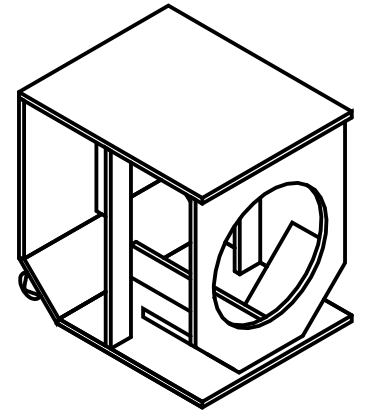
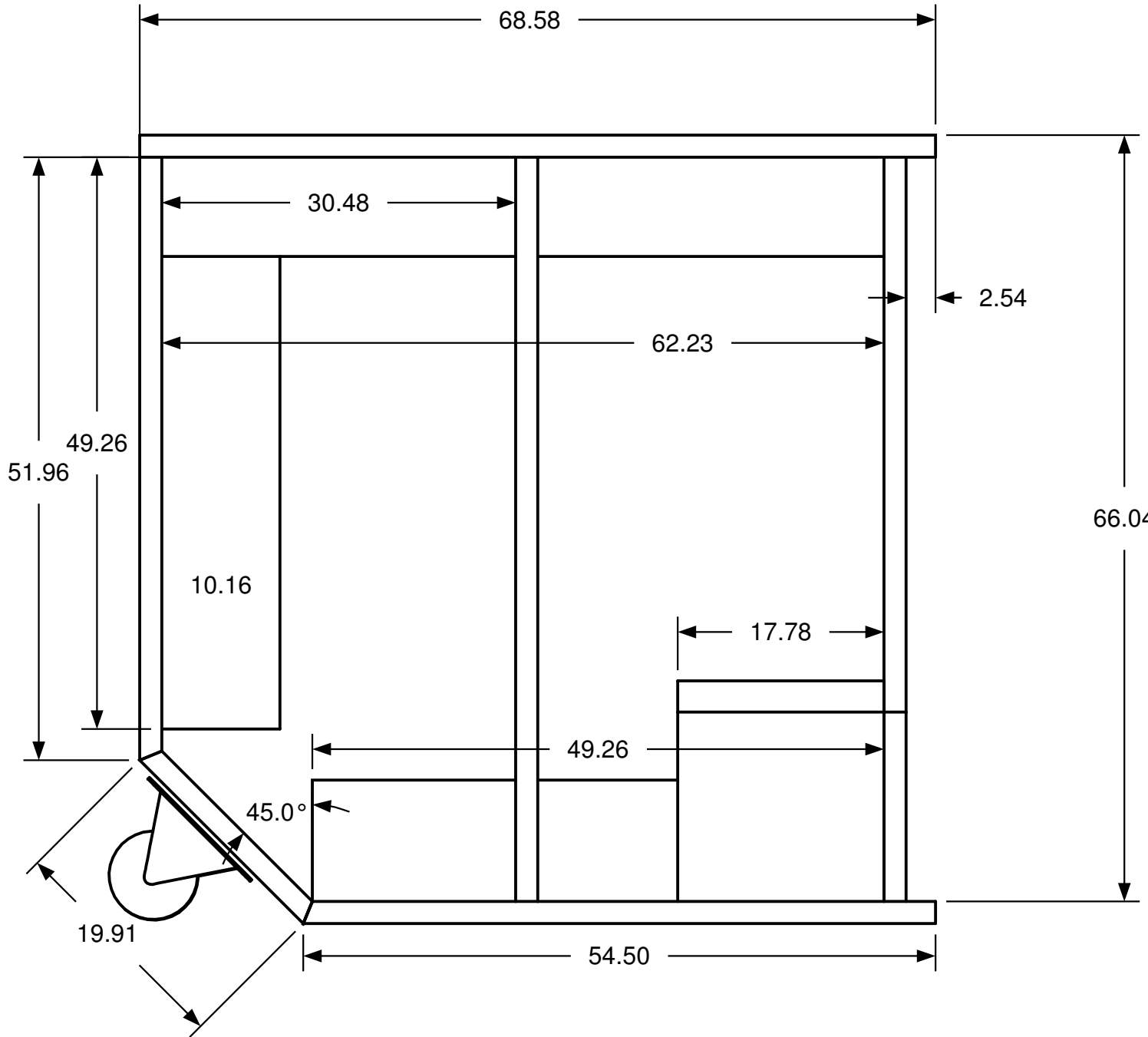
spl correct

Cursor = 7.2 Ohms at 29.6 Hz (degs)

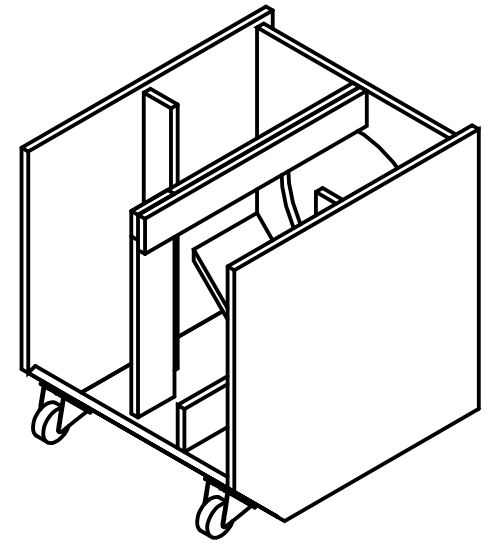
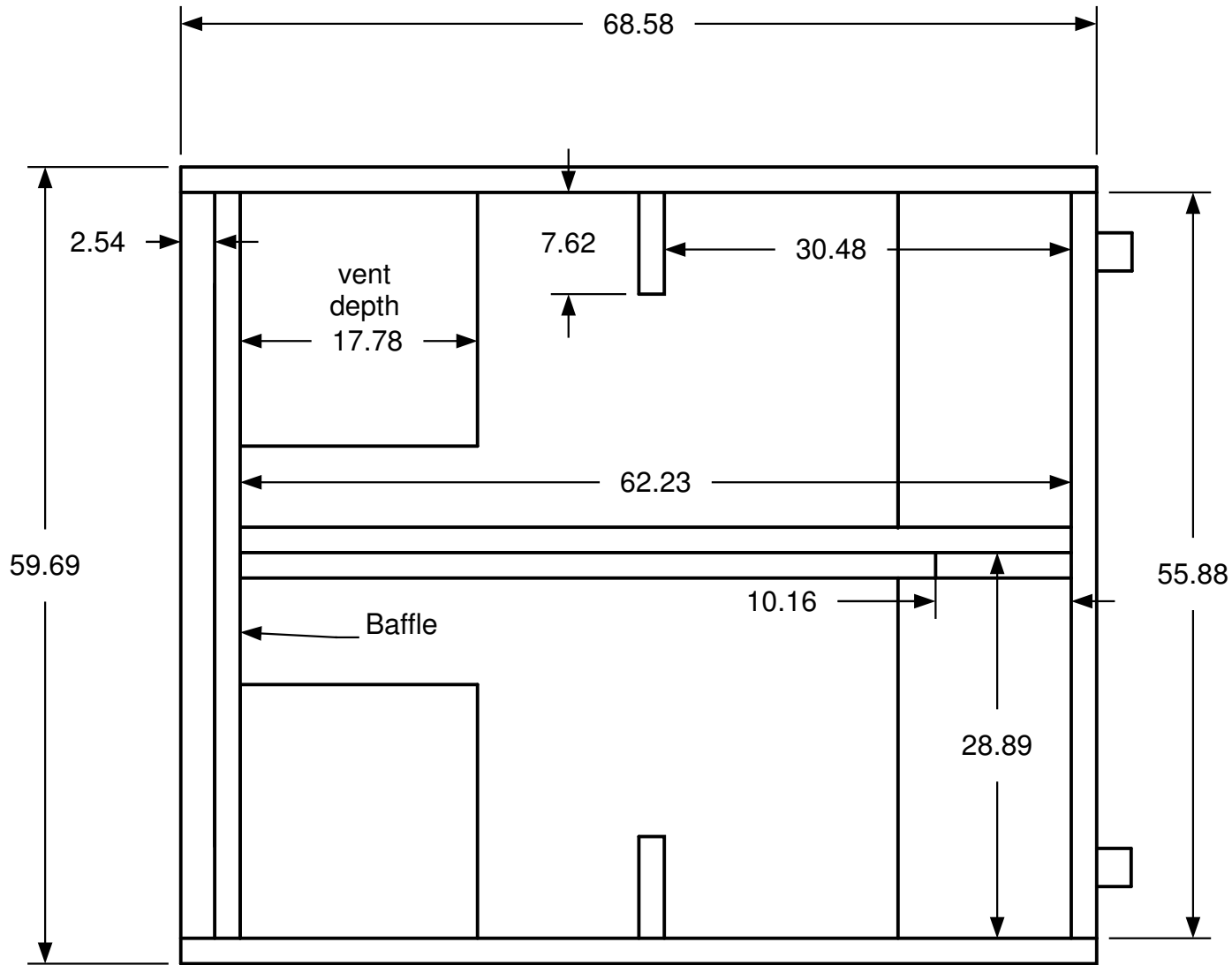




S18BN Baffle
Material 18mm Birch Plywood



S18BN side view
Material 18mm Birch Plywood



S18BN Interior Parts
Material 18mm Birch Plywood