



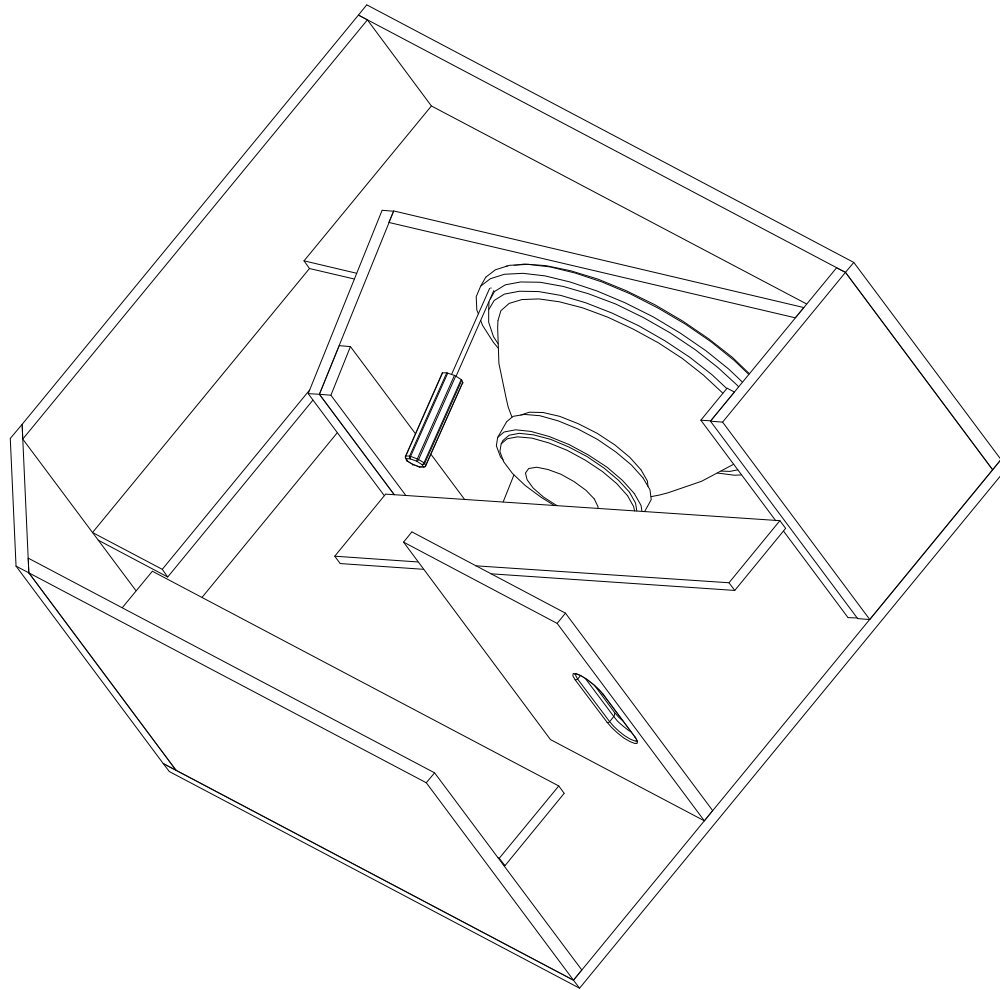
S18H

Subwoofer

B&C Component Options

18" Woofer – 18TBX100 8 ohm

www.bcspeakers.com

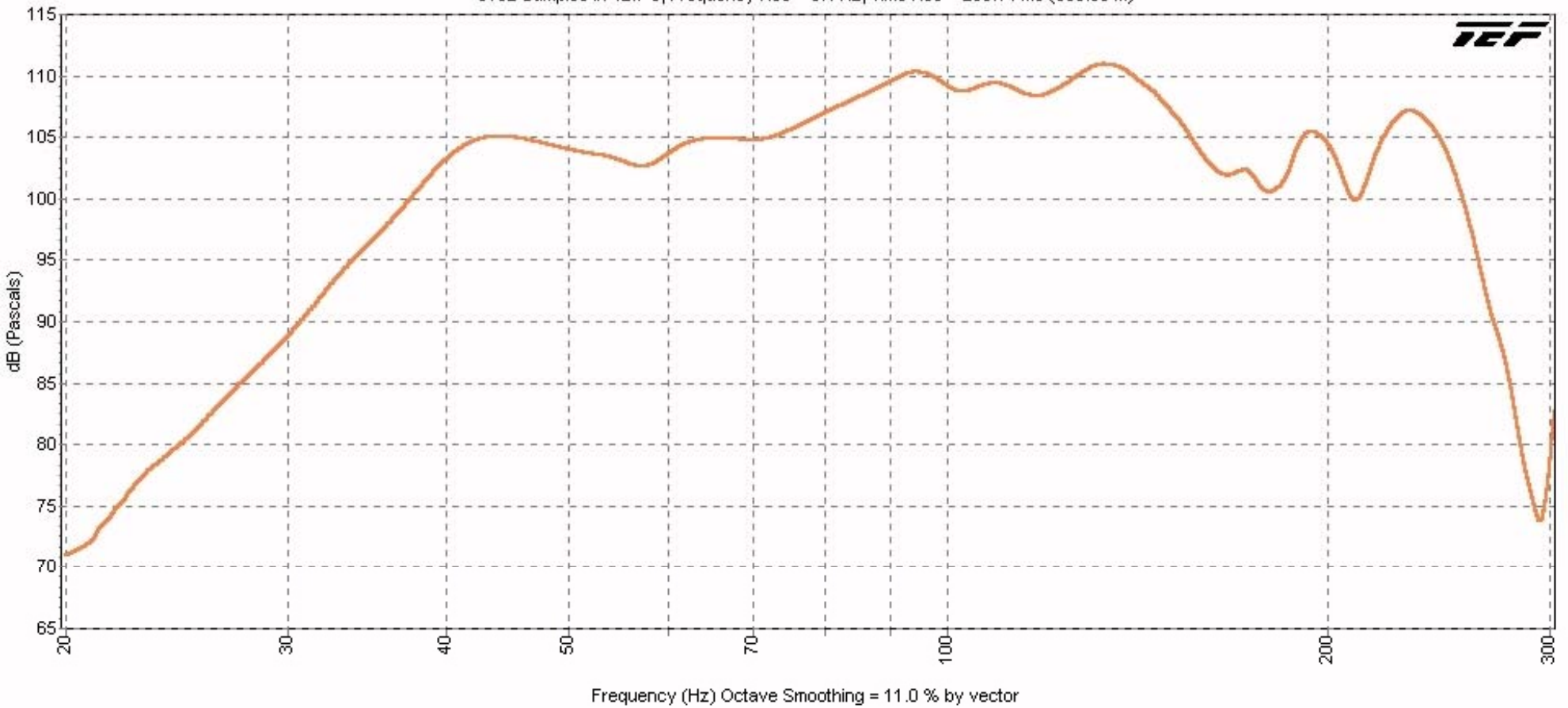


S18H 3D

18mm

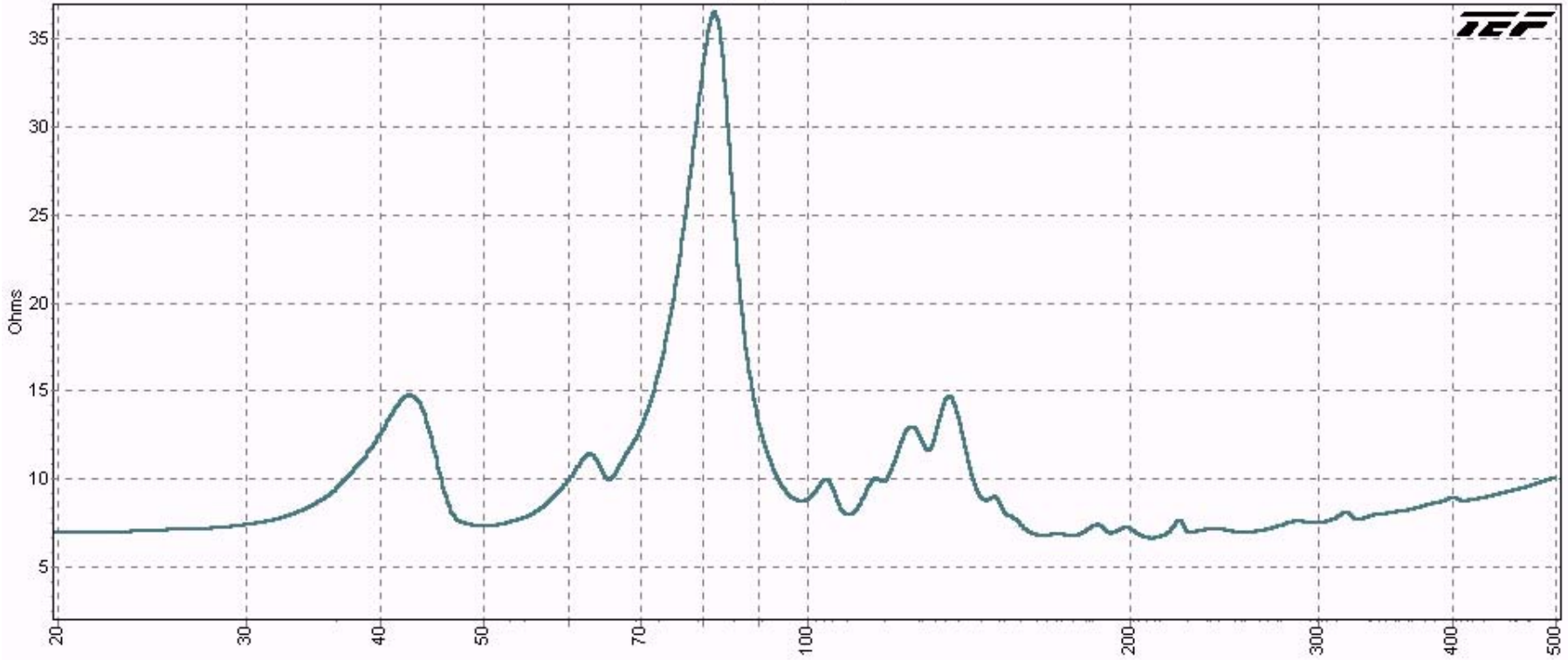
18tbx100

8192 Samples in 42.7 s, Frequency Res = 3.4 Hz, Time Res = 298.14 ms (336.88 m)

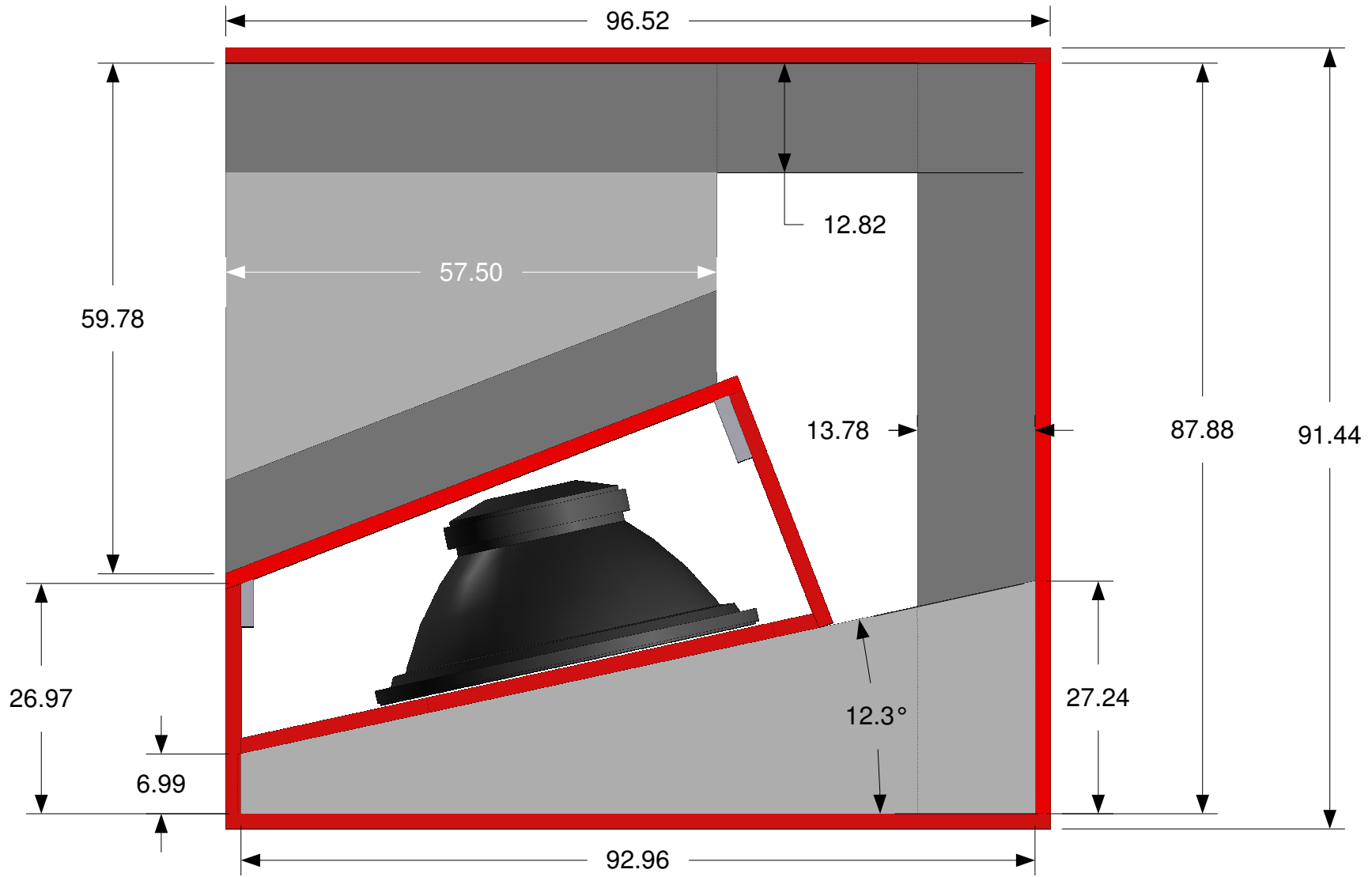


Z-----18 horn TBX 100 feb 21 2011.imp

4096 Samples, Frequency Res = 3.7 Hz

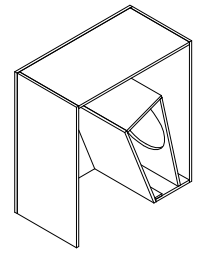
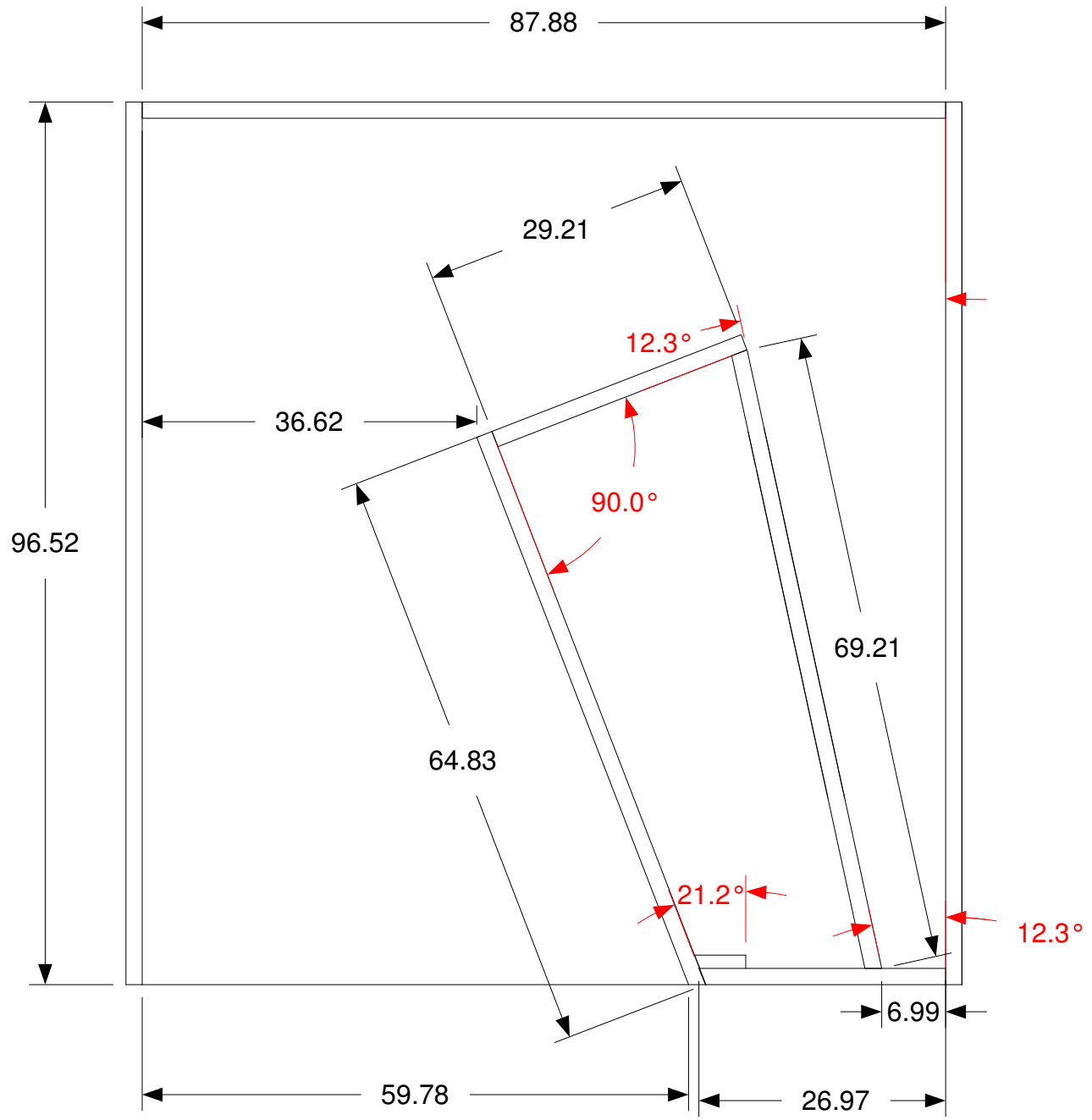


Frequency (Hz) Octave Smoothing = 0.0 % by vector

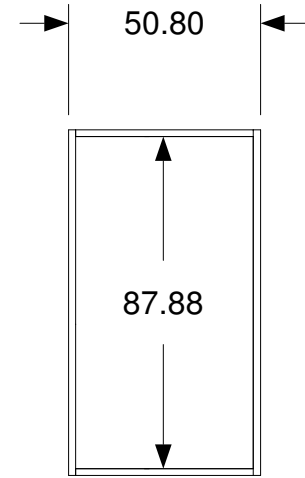
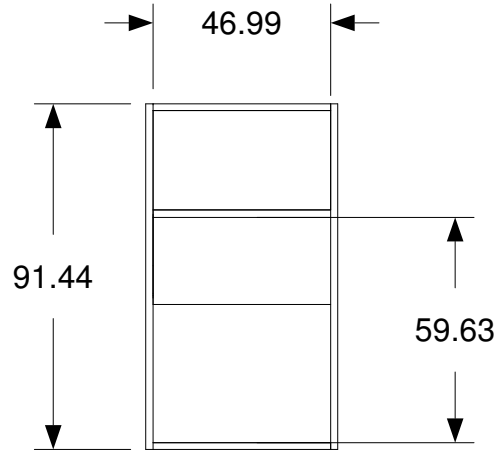
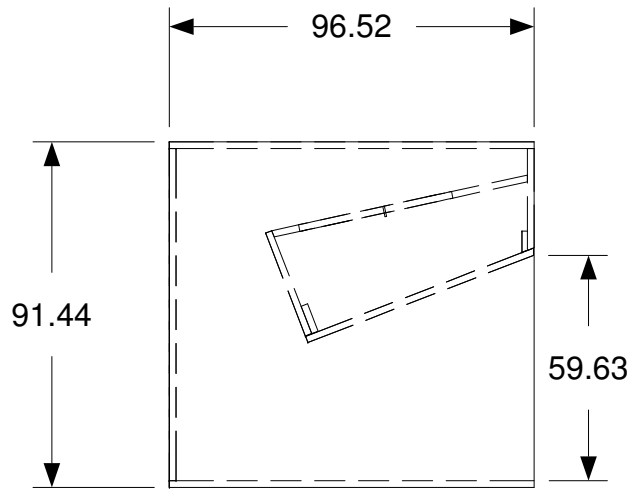
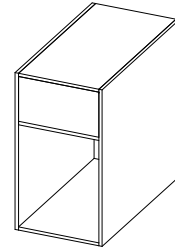


S18H BASSHORN

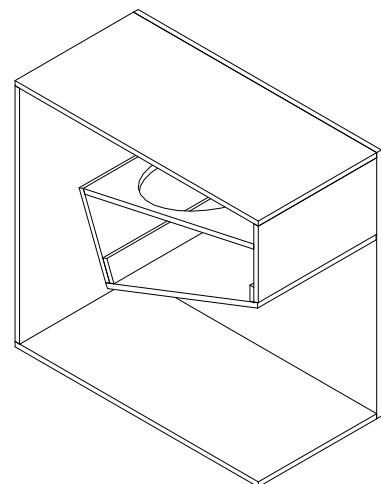
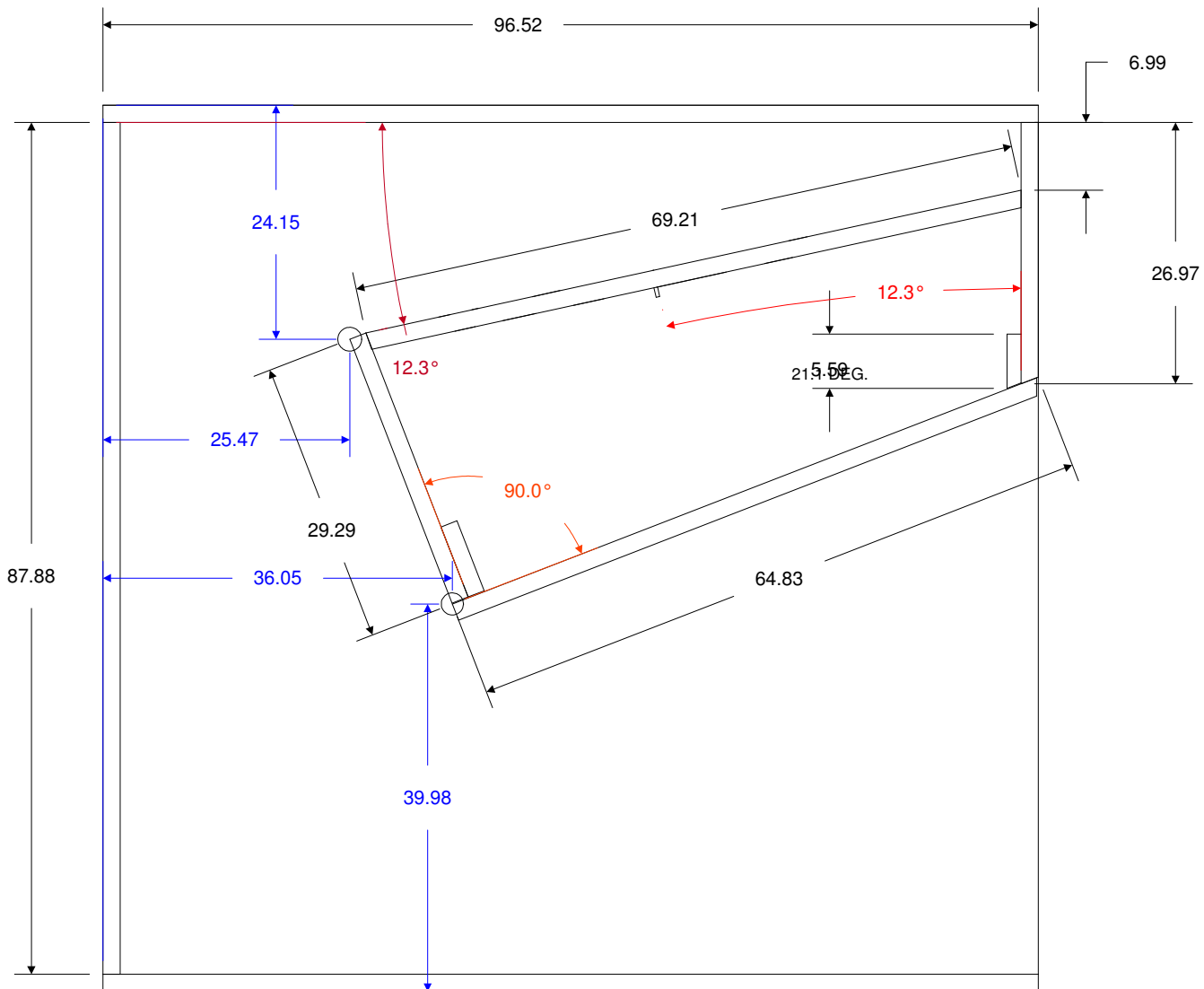
18mm



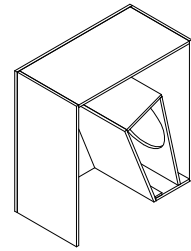
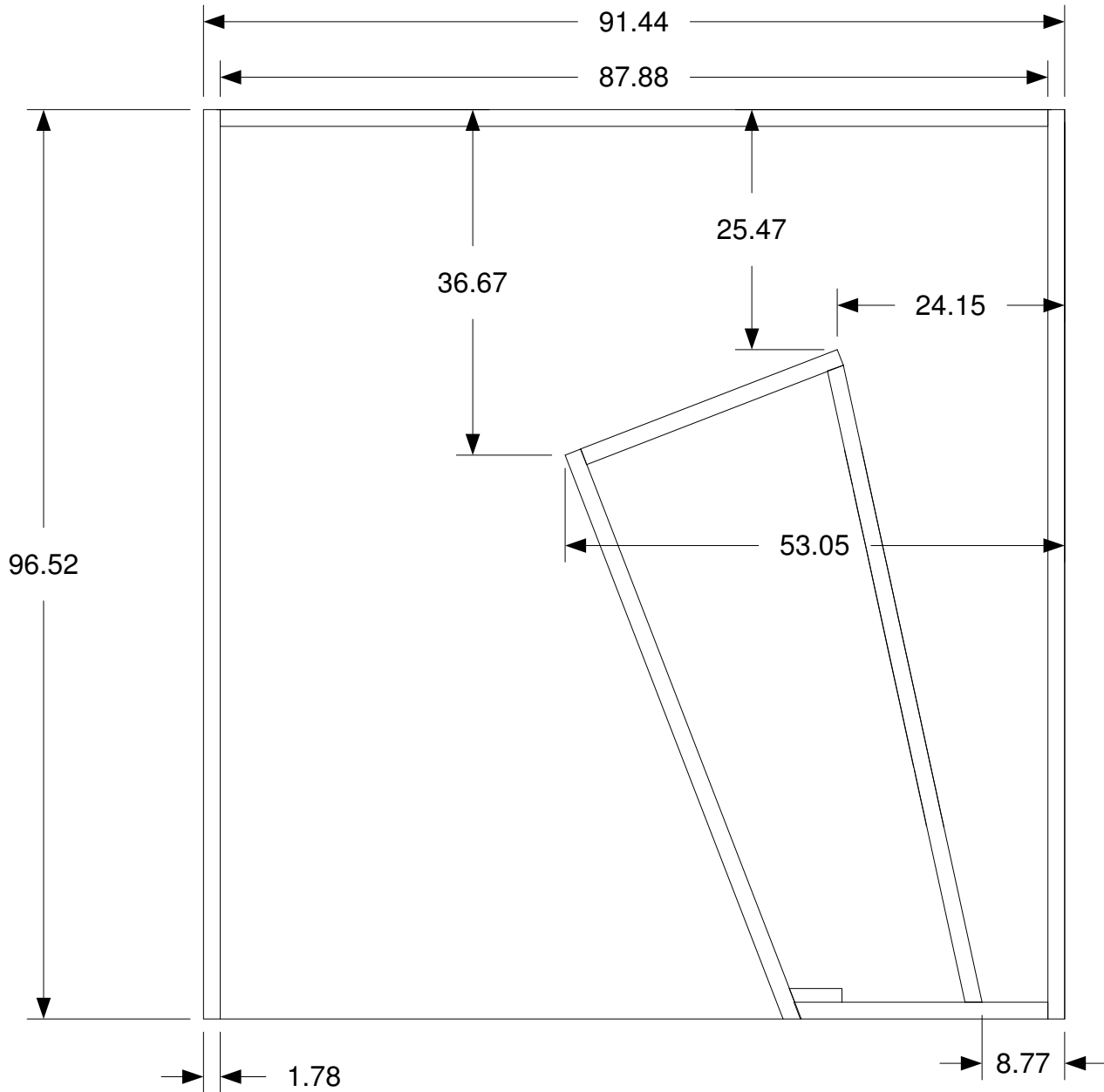
S18H GENERAL DIMS
18mm



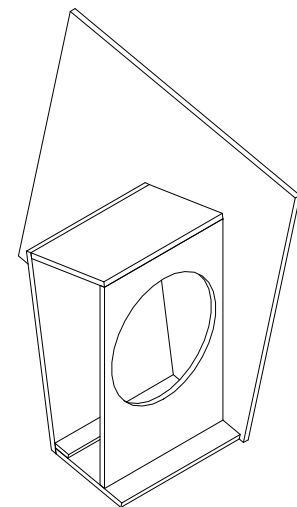
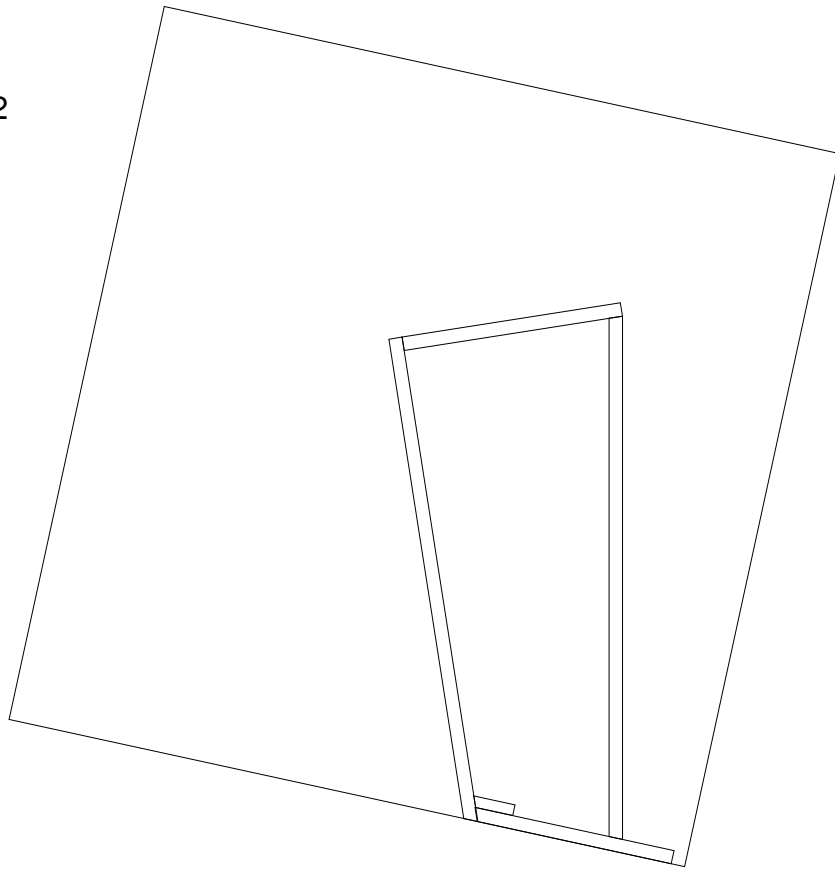
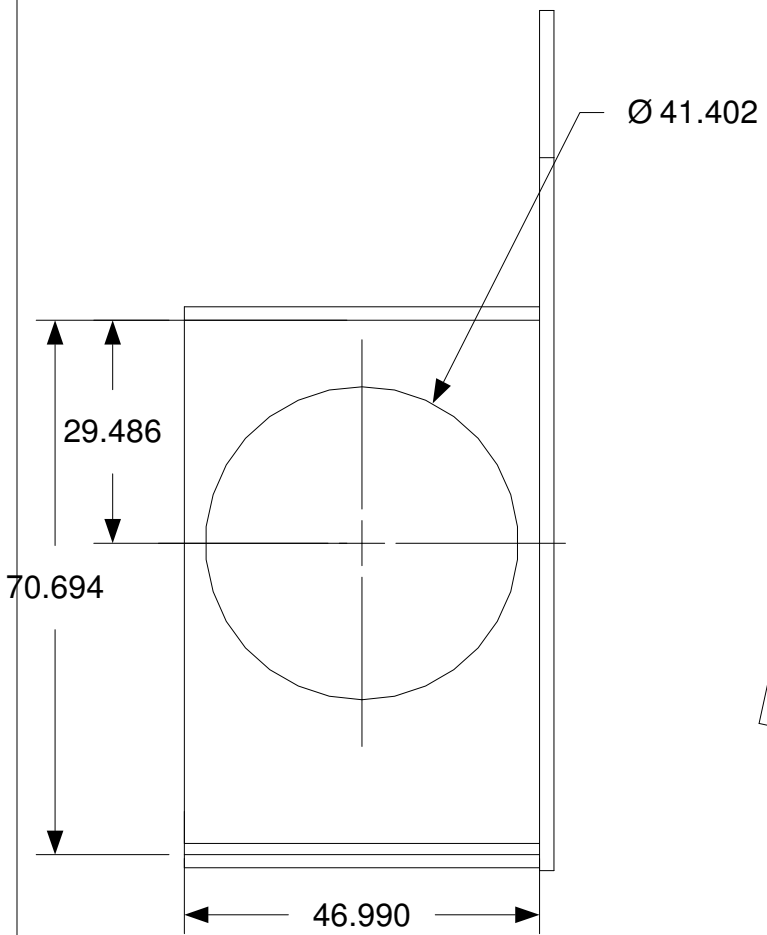
S18H WIDTH
18mm



S18H INSIDE DIMS
18mm



S18H LOCATION POINTS
18mm



18mm