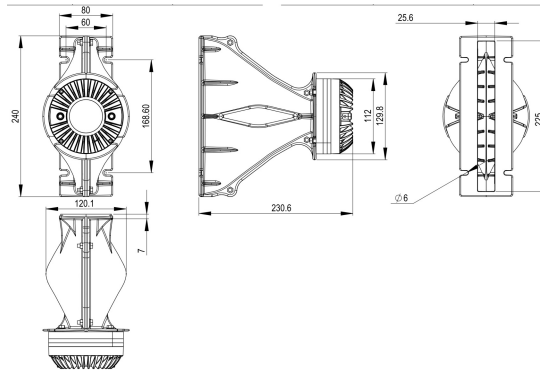


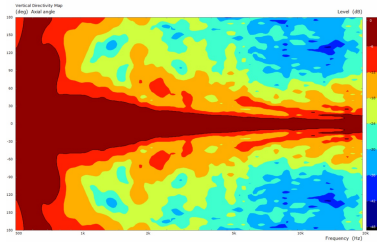
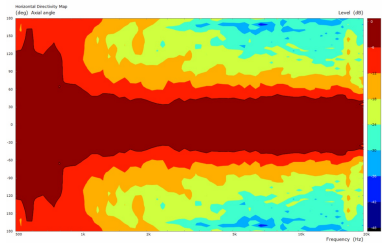
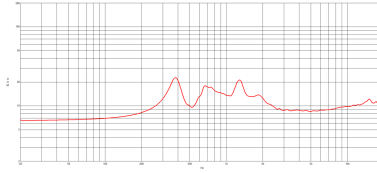
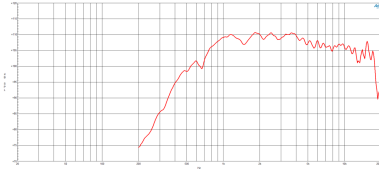
WG148-780TN

8Ω**Horn/Driver Combinations - 1.4 Inches**

- Line Array optimized Waveguide with DE780TN8 driver
- 120° max horizontal coverage
- 107.6 dB sensitivity
- 220 W continuous program power capacity
- Neodymium magnet assembly with shorting copper cap

WG148-780TN

Horn/Driver Combinations- 1.4 Inches



SPECIFICATIONS

Nominal Impedance	8 Ω
Horizontal Coverage	120 ° Max
Active Radiating Factor	93.3 %
Waveguide Material	ABS

SPECIFICATIONS HF UNIT

Minimum Impedance	7.8 Ω
Nominal Power Handling ¹	110 W
Continuous power handling ²	220 W
Sensitivity (1W/1m) ³	107.6 dB
Frequency Range ⁴	500.0 - 18.0 kHz
Voice Coil Diameter	75 mm (3.0 in)
Flux Density	1.95 T
Recommended Crossover ⁵	1.0 kHz
Winding Material	CCAW
Diaphragm Material	Titanium
Magnet Material	Neodymium Ring

MOUNTING AND SHIPPING INFO

Exit Size	224x25 mm (8.8x1 in)
Driver Diameter	112 mm (4.41 in)
Dimensions	240x80x230.6 mm (9.45x3.15x9.08 in)
Net Weight	2.38 kg (5.25 lb)

1. 2 hour test made with continuous pink noise signal within the range from the recommended crossover frequency to 20 kHz. Power calculated on rated minimum impedance.
2. Power on Continuous Program is defined as 3 dB greater than the Nominal rating.
3. Applied RMS Voltage is set to 2.83 V for 8 ohms Nominal Impedance.
4. Waveguide mounted on 90°x10° bell horn
5. 12 dB/oct. Or higher slope high-pass filter.