

### KEY FEATURES

- 1,4" (36 mm) high frequency compression driver
- 1,75" (44,4 mm) voice coil diameter
- 140 W program power above 1,2 kHz
- Sensitivity: 110 dB (1W / 1m)
- PM-4 polymer diaphragm
- Ultra lightweight edgewound aluminium voice coil
- Aluminium cover
- Ferrite magnet

### TECHNICAL SPECIFICATIONS

|                       |  |              |
|-----------------------|--|--------------|
| Throat diameter       | 36 mm  | 1,4 in       |
| Rated impedance       |  | 8 $\Omega$   |
| Minimum impedance     | 5,2 $\Omega$ @ 3,5 kHz                               |              |
| D.C. resistance       |  | 4,3 $\Omega$ |
| Power capacity*       | 70 W <sub>AES</sub> above 1,2 kHz                    |              |
| Program power         | 140 W above 1,2 kHz                                  |              |
| Sensitivity**         | 110 dB 1W / 1m @ Z <sub>N</sub><br>coupled to TD-365 |              |
| Frequency range       |  | 0,7 - 19 kHz |
| Recommended crossover | 1,2 kHz or higher<br>(12 dB/oct min.)                |              |
| Voice coil diameter   | 44,4 mm  | 1,75 in      |
| Flux density          |  | 1,65 T       |
| BL factor             |  | 6,6 N/A      |

### MOUNTING INFORMATION

|                  |   |         |
|------------------|---|---------|
| Overall diameter | 120 mm  | 4,72 in |
| Depth            | 66 mm   | 2,60 in |
| Mounting         | Four M5 threaded holes, 90° apart<br>on 101,6 mm (4") diameter circle |         |
| Net weight       | 2 kg  | 4,4 lb  |
| Shipping weight  | 2,7 kg  | 5,9 lb  |

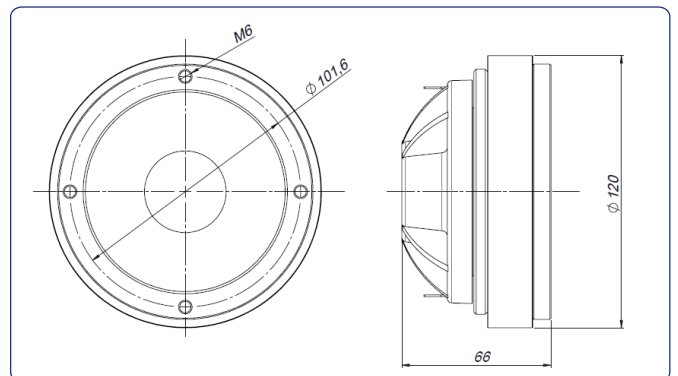
#### Notes:

\* The power capacity is determined according to AES2-1984 (r2003) standard. Program power is defined as the transducer's ability to handle normal music program material.

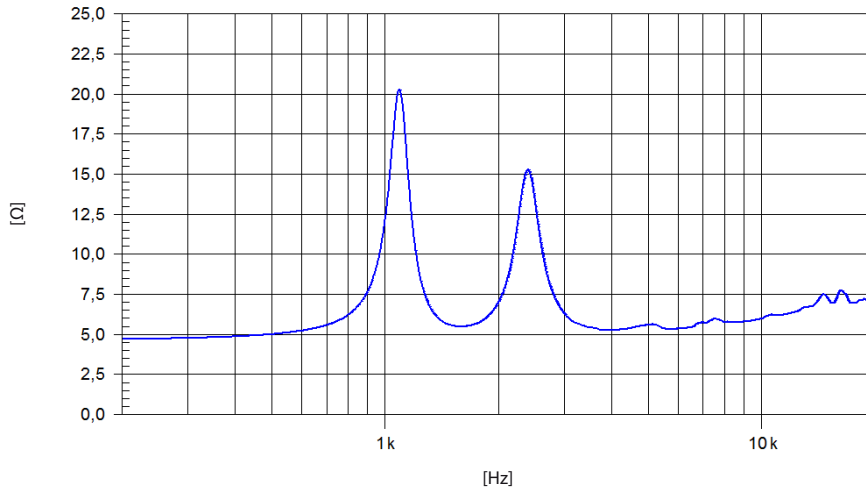
\*\* Sensitivity was measured at 1m distance, on axis, with 1W input, averaged in the range 1 - 7 kHz.



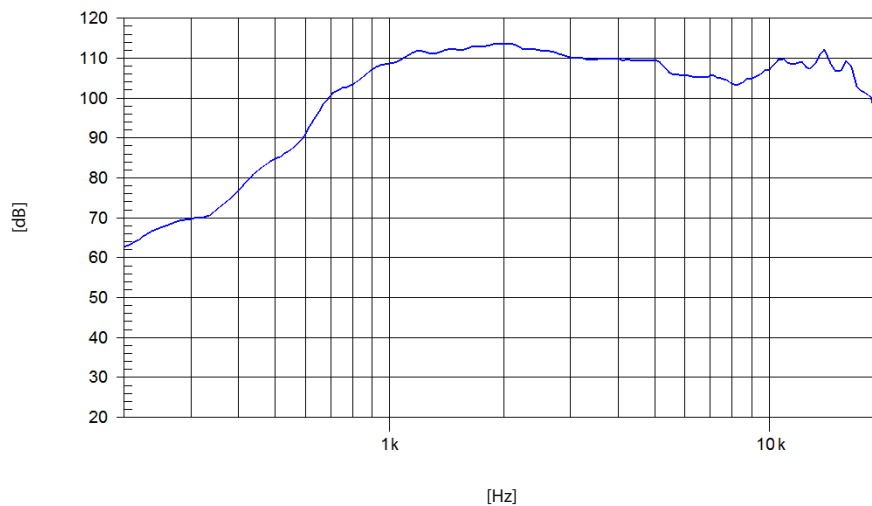
### DIMENSION DRAWINGS



### FREE AIR IMPEDANCE CURVE



### FREQUENCY RESPONSE



Note: On axis frequency response measured coupled to TD-365 horn in anechoic chamber, 1W / 1m