

# CP-350

## HIGH FREQUENCY COMPRESSION UNIT

### DESCRIPTION

The CP-350 high frequency compression driver features wide, smooth response with very low distortion and excellent transient characteristics. This model incorporates light weight aluminium diaphragm, cast nonresonant phase plug and flat copper clad aluminium wire. The coil-diaphragm assembly is easily field replaceable without soldering.

### SPECIFICATIONS

Throat diameter	25 mm. 1 in.
Nominal impedance	8 ohms.
Minimum impedance	8.5 ohms. @ 3 kHz
D.C.resistance	6.4 ohms.
Power capacity	30 w above 1 kHz 50 w above 2 kHz
Sensitivity	105 dB coupled to a TD-250 horn
Frequency range	800 Hz - 20 kHz
Recommended crossover	1 kHz or higher, 12 dB/oct. minimum
Voice coil diameter	44.4 mm. 1.75 in.
Magnetic assembly weight	2.9 kg. 6.4 lb.
Flux density	1.9 T
BL Factor	9.8 N/A
Voice coil inductance	0.19 mH

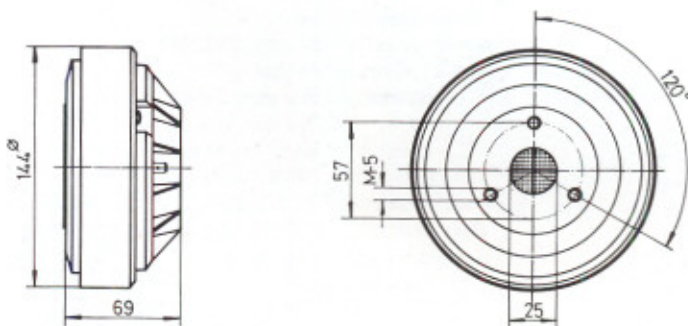
Positive voltage on red terminal moves diaphragm toward the phasing plug.

### MATERIALS

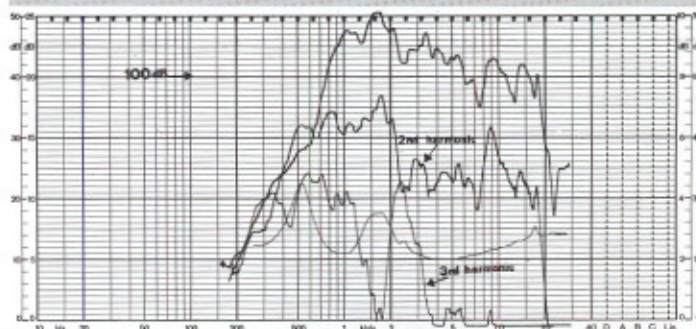
Diaphragm	Aluminium
Voice coil material	Edgewound copper clad aluminium ribbon
Voice coil former	Kapton

### MOUNTING INFORMATION

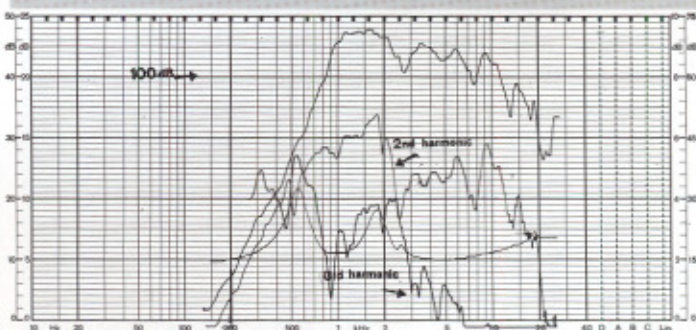
Overall diameter	144 mm. 5.67 in.
Depth	67 mm. 2.64 in.
Mounting	Three M5 threaded holes, 120° apart on 57 mm. (2.24 in.) diameter circle Two M5 threaded holes, 180° apart on 76.2 mm. (3 in.) diameter circle Mounting hardware is supplied
Net weight	3.25 kg. 7.15 lb.
Shipping weight	3.4 kg. 7.48 lb.



Frequency response, Distortion & Impedance curves • 2nd & 3rd harmonic level raised 20 dB  
Coupling with the TD-235 horn, 1w @ 1m



Frequency response, Distortion & Impedance curves • 2nd & 3rd harmonic level raised 20 dB  
Coupling with the TD-245 horn, 1w @ 1m



Frequency response, Distortion & Impedance curves • 2nd & 3rd harmonic level raised 20 dB  
Coupled with the TD-250 horn, 1w @ 1m

