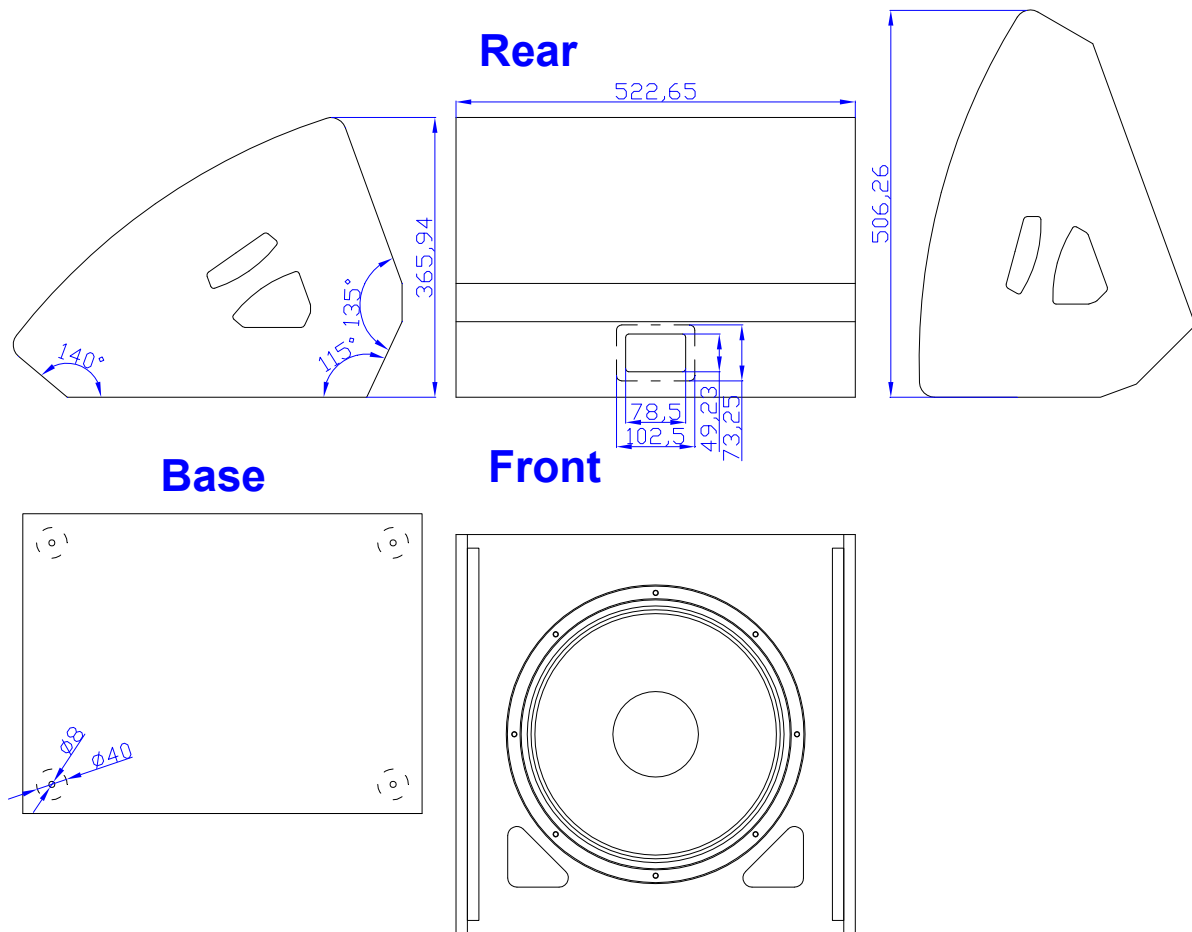
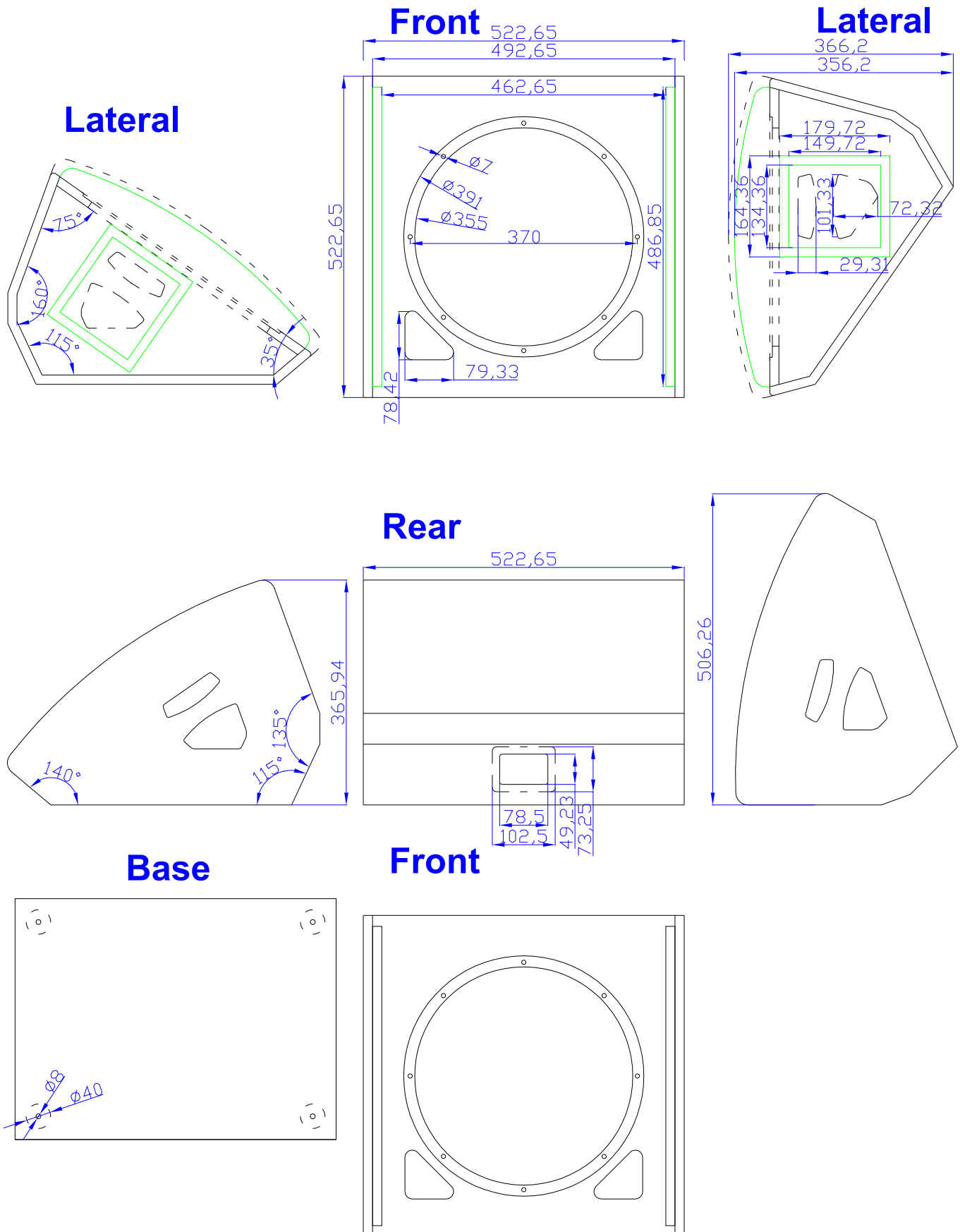


Technical Specifications

Acoustic cabinet:	SM15
Description:	Stage monitor. 15" coaxial
Power AES:	350 W.
Power Program:	700 W.
Sensitivity 2,83v @ 1m:	99 dB.
Max. SPL continuous:	124 dB.
Max. SPL peak:	130 dB.
Frequency response:	43 - 20.000Hz.
Coverage (H x V):	80° conical
Loudspeaker:	15XA38ND
Crossover:	FC-15/1





15XA38Nd

KEY FEATURES

- 15" bass loudspeaker and 2" exit compression driver combination
- Excellent power handling: 350 W AES (LF unit) - 90 W AES (HF unit)
- Extended and linear frequency response (25-20000 Hz)
- High sensitivity: 99 dB (LF unit) - 105 dB (HF unit)
- Low weight (common neodymium magnet system for both units)
- Bass loudspeaker designed for compact bass reflex cabinets



TECHNICAL SPECIFICATIONS

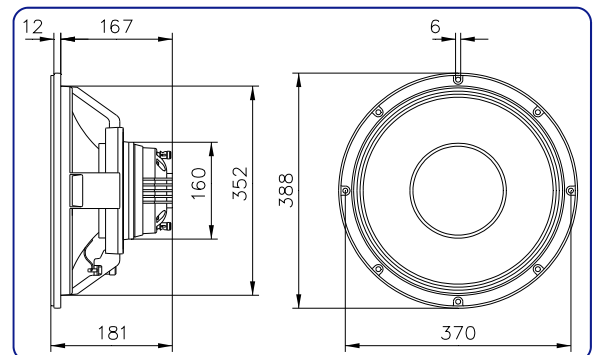
LF Unit

- Nominal diameter 380 mm. 15 in.
- Rated impedance 8 ohms
- Minimum impedance 7.6 ohms
- Power capacity* 350 w AES
- Program power 700 w
- Sensitivity 99 dB 2.83v @ 1m @ 2π
- Frequency range 25 - 3500 Hz
- Voice coil diameter 100 mm. 4 in.
- Magnetic assembly weight 4.2 kg. 9.24 lb.
- BL factor 18.2 N / A
- Voice coil length 16 mm
- Air gap height 9 mm
- X damage (peak to peak) 28 mm

HF Unit

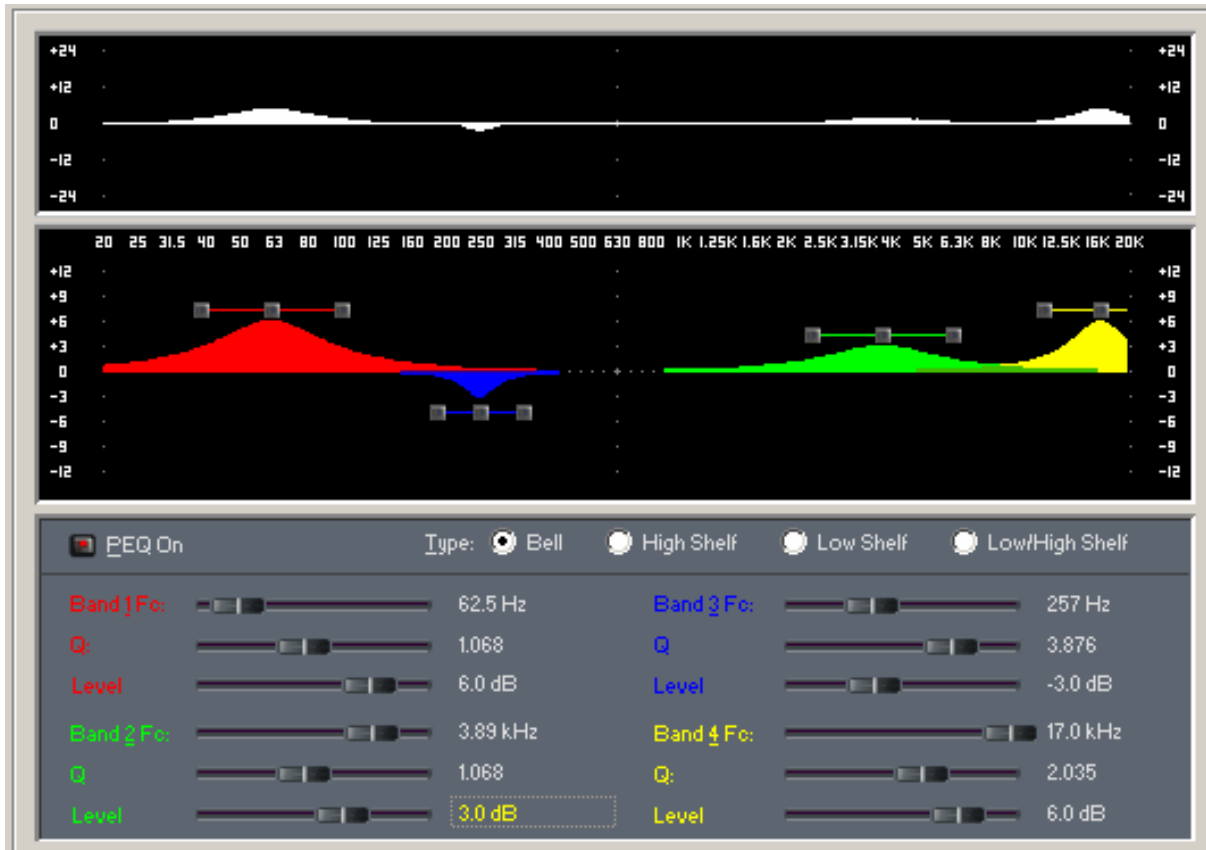
- Throat diameter 50.8 mm. 2 in
- Rated impedance 16 ohms
- Power capacity* 90 w AES above 1 kHz
- Program power 180 w above 1 kHz
- Sensitivity** 105 dB 1w @ 1m
- Frequency range 500- 20000 Hz
- Voice coil diameter 72.2 mm. 2.87 in.

DIMENSION DRAWINGS



Notes:

*The power capacity is determined according to AES2-1984 (r2003) standard.
Program power is defined as the transducer's ability to handle normal music program material.



SM15/1 Crossover

