

KEY FEATURES

- High power handling (350 W RMS)
- Excellent sensitivity (101 dB)
- Designed for medium frequencies reproduction

TECHNICAL SPECIFICATIONS

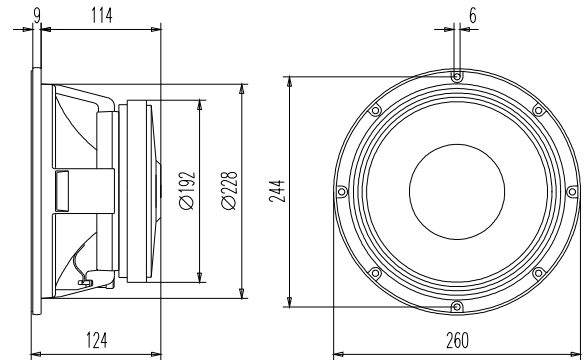
Nominal diameter	250 mm. 10 in.
Nominal impedance	4 ohms
Power handling / maximum	350 W RMS / 700 W
Sensitivity	101 dB 1w @ 1m
Frequency range	70 - 4000 Hz
Voice coil diameter	77 mm. 3 in.
Bl factor	15.8 N/A
Moving mass	0.039 Kg.

THIELE-SMALL PARAMETERS

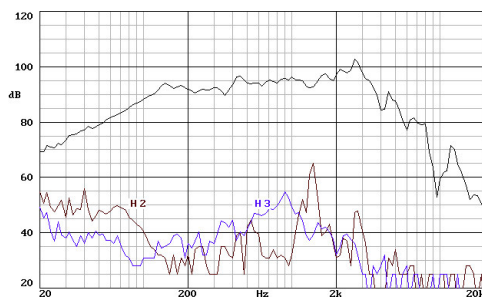
Resonant frequency, fs	46 Hz
D.C. voice coil resistance, Re	3.7 ohms.
Mechanical quality factor, Qms	7.24
Electrical quality factor, Qes	0.17
Total quality factor, Qts	0.17
Equivalent air volume to Cms, Vas	62 l
Efficiency, ηo (%)	3.5
Effective surface area, Sd	380 cm ²
Voice coil inductance, Le @ 1kHz	1.3 mH



DIMENSION DRAWINGS



FREQUENCY RESPONSE



Note: on axis frequency response measured with loudspeaker standing on infinite baffle in anechoic chamber, 1w @ 1m.

FREE AIR IMPEDANCE CURVE

