


12N803

12" Neodymium Ultra low Distortion low Midrange Driver

Neodymium series





Features:

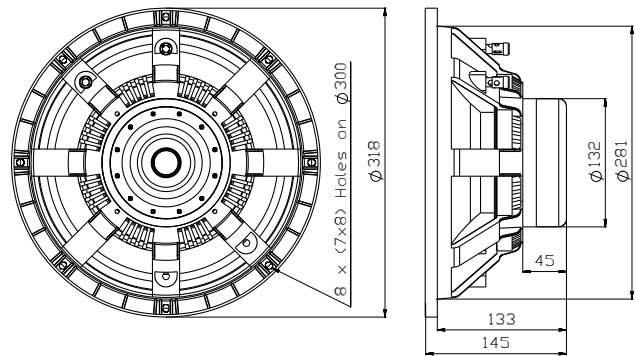
- 97 dB Sensitivity 1 W / 1 m
- 1000 W Power Handling
- 4" Copper Sandwich Voice Coil for low Power Compression
- Double treated Cone for Water Protection
- Neodymium Magnet System
- Triple Aluminum demodulating Rings for ultra low Distortion
- Optimal for compact 2- or 3-way Systems

SPECIFICATIONS

APPLICATION	Low-middle	
Nominal Impedance:	Ohm	8
Power handling AES noise:	W	1000
Sensitivity (1 W / 1 m):	dB	97
Frequency response:	Hz	40 - 1700
Voice Coil Diameter:	mm	101.6 (4")
Voice Coil Material:		Cu
Voice Coil Winding Depth:	mm	22
Magnet Gap Depth:	mm	10
Basket:		Cast Aluminum
Effect. diaphragm diameter D:	mm	260

THIELE-SMALL PARAMETERS			
Resonance Frequency:	Fs	Hz	41
DC Resistance:	Re	Ohm	5.70
Mechanical Q Factor:	Qms		5.2
Electrical Q Factor:	Qes		0.25
Total Quality Factor:	Qts		0.24
Equivalent Volume:	Vas	L	77
Moving Mass:	Mms	kg	0.078
Mechanical Compliance:	Cms	mm / N	0.193
BL Factor:	BL	Tesla m	21.35
Effective Piston Area:	Sd	m ²	0.0531
Max. linear Excursion:	Xmax	mm	+/- 6
Voice Coil Inductance:	Le1k	mH	0.61
	Le10k	mH	0.42

MOUNTING INFORMATION		
Overall Diameter:	mm	318
Mounting Holes Diameter:	mm	8 x (7 x 8)
Bolt Circle Diameter:	mm	300
Baffle cut-out Diameter:	mm	283
Overall depth:	mm	147
Net Weight:	kg	4.7



Frequency response measured 100W (28.3V) at 1 m in a closed enclosure of 50 litre in an anechoic chamber incl. 2nd and 3rd harmonic distortion raised 20 dB

