

12N820

Neodymium Ultra Low Distortion Low Midrange Driver

Neodymium series

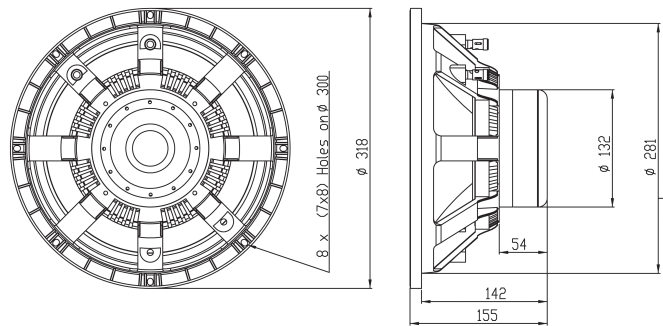


Features:

- 98dB sensitivity 1W/1m
- 800W Power handling
- Extremely light weight of 5.5kg
- 4" copper sandwich voice coil for low power compression
- Double treated cone for water protection
- Neodymium magnet system
- Triple aluminum demodulating rings for ultra low distortion
- Optimal for compact 2- or 3-way systems

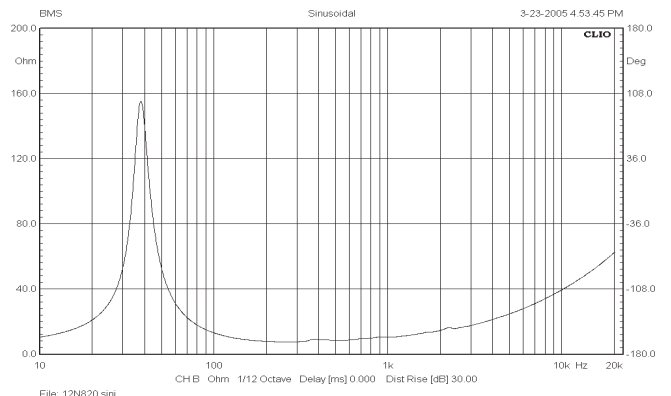
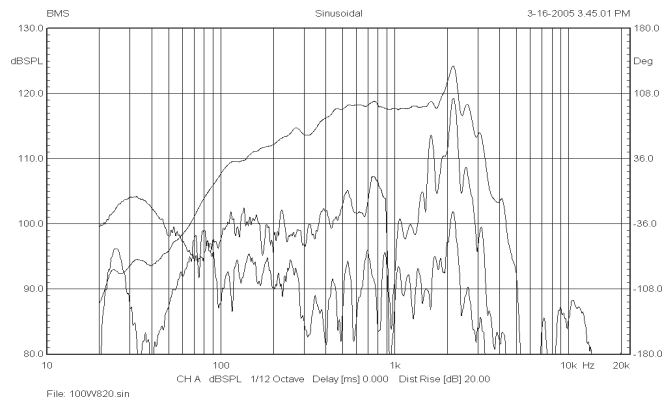
SPECIFICATIONS

APPLICATION	Low-Middle	
Nominal impedance	Ohm	8
Power handling AES noise	W	800
Sensitivity (1W/1m)	dB	98
Frequency response	Hz	45 - 1700
Voive coil diameter	mm	101.6 (4")
Voice coil material		Cu
Voice coil winding depth	mm	19
Magnet gap depth	mm	10
Basket		Cast Aluminum
Effect. diaphragm diameter D	mm	260



THIELE - SMALL PARAMETERS			
Resonance frequency	F _s	Hz	37.8
DC resistance	R _e	Ohm	5.7
Mechanical Q factor	Q _{ms}		5.3
Electrical Q factor	Q _{es}		0.16
Total Quality factor	Q _{ts}		0.16
Equivalent volume	V _{as}	L	98.7
Moving mass	M _{ms}	kg	0.072
Mechanical compl.	C _{ms}	mm/N	0.25
BL factor	BL	Tesla m	24.2
Effective piston area	S _d	m ²	0.0531
Max. linear excursion	X _{max}	mm	± 4.5
Voice coil inductance	Le1k	mH	0.62
	Le10k	mH	0.51

Frequency response measured 100W (28.3V) at 1m in a closed enclosure of 50 litre in an anechoic chamber incl. 2nd and 3rd harmonic distortion raised 20dB.



MOUNTING INFORMATION		
Overall diameter	mm	318
Mounting holes diameter	mm	8 x (7 x 8)
Bolt circle diameter	mm	300
Baffle cut-out diameter	mm	284
Overall depth	mm	155
Net weight	kg	5.5

Recommended reflex enclosure:

8L/77Hz, -3dB=104Hz, BRD=70mm/178mm long

20L/64Hz, -3dB=70Hz, BRD=90mm/155mm long