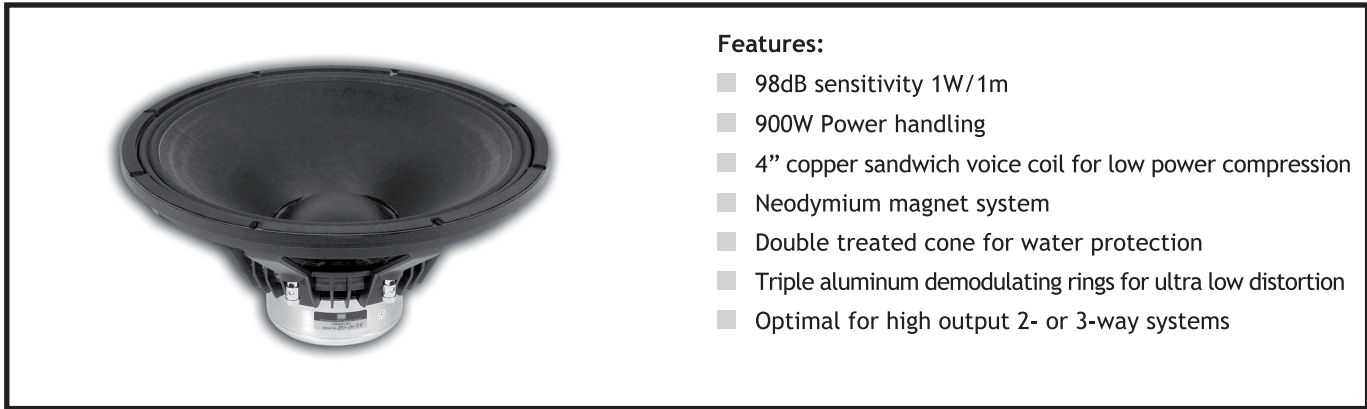


# 15N820

Neodymium Ultra Low Distortion Low Midrange Driver

## Ultra low distortion series

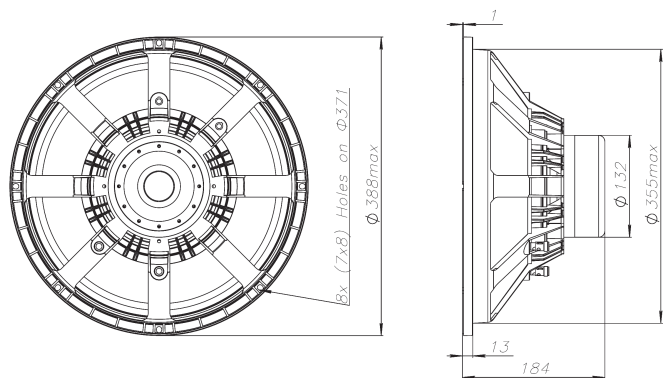


### Features:

- 98dB sensitivity 1W/1m
- 900W Power handling
- 4" copper sandwich voice coil for low power compression
- Neodymium magnet system
- Double treated cone for water protection
- Triple aluminum demodulating rings for ultra low distortion
- Optimal for high output 2- or 3-way systems

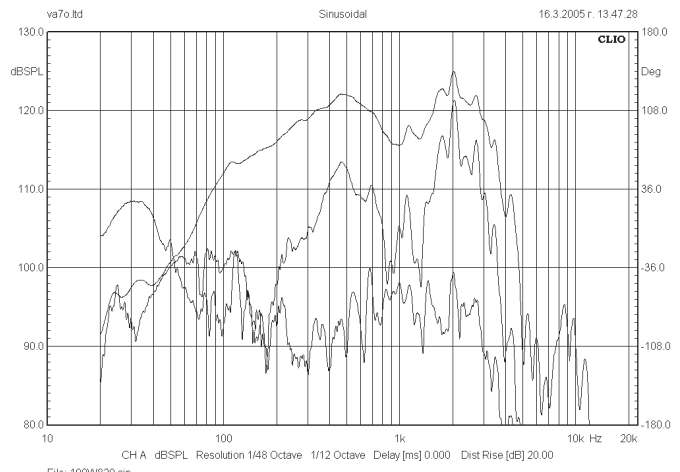
## SPECIFICATIONS

APPLICATION	2- or 3-way systems	
Nominal impedance	Ohm	8
Power handling AES noise	W	900
Sensitivity ( 1W/1m )	dB	98
Frequency response	Hz	40 - 2500
Voice coil diameter	mm	101.6 (4")
Voice coil material		Cu
Voice coil winding depth	mm	20
Magnet gap depth	mm	19
Basket		Cast Aluminum
Effect. diaphragm diameter D	mm	335

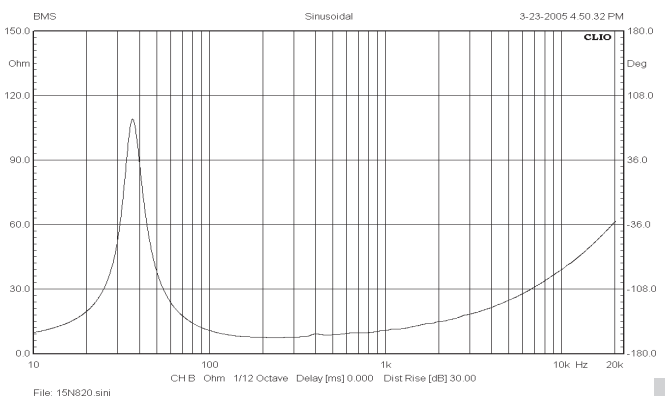


THIELE - SMALL PARAMETERS			
Resonance frequency	Fs	Hz	39.2
DC resistance	Re	Ohm	5.7
Mechanical Q factor	Qms		4.5
Electrical Q factor	Qes		0.27
Total Quality factor	Qts		0.26
Equivalent volume	Vas	L	159
Moving mass	Mms	kg	0.114
Mechanical compl.	Cms	mm/N	0.144
BL factor	BL	Tesla m	24.2
Effective piston area	Sd	m <sup>2</sup>	0.0880
Max. linear excursion	Xmax	mm	± 4.5
Voice coil inductance	Le1k	mH	0.81
	Le10k	mH	0.53

Frequency response measured 100W (28.3V) at 1m in a closed enclosure of 100 litre in an anechoic chamber incl. 2nd and 3rd harmonic distortion raised 20dB.



MOUNTING INFORMATION		
Overall diameter	mm	388
Mounting holes diameter	mm	8 x (7 x 8)
Bolt circle diameter	mm	371
Baffle cut-out diameter	mm	358
Overall depth	mm	184
Net weight	kg	5.7



### Recommended reflex enclosure:

60L/50Hz, -3dB=58Hz, BRD=140mm/183mm long

Neodymium Cone Drivers