


15S435

15" ultra low distortion woofer

Ultra low distortion Series

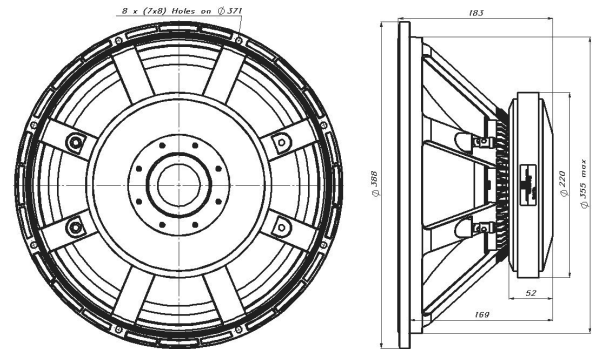


Features:

- 97 dB sensitivity 1 W / 1 m
- 1.200 W power handling
- 4" Copper sandwich voice coil for ultra low power compression
- Double treated cone for water protection
- Triple Aluminum demodulating rings for ultra low distortion
- Optimal for high output subwoofers

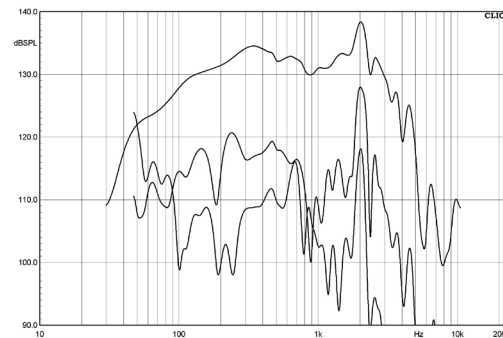
SPECIFICATIONS

APPLICATION	Subwoofer	
Nominal Impedance	Ohm	8
Power handling AES noise	W	1200
Sensitivity (1 W / 1 m)	dB	97
Frequency response	Hz	35-2500
Voice Coil Diameter	mm	101,6 (4")
Voice Coil Material		Cu
Voice Coil Winding Depth	mm	26
Magnet Gap Depth	mm	10
Basket		Cast Aluminium
Effect. Diaphragm Diameter D	mm	328

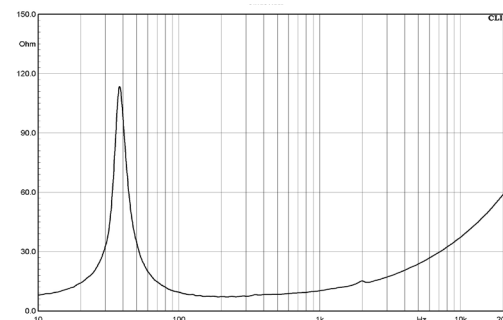


THIELE-SMALL PARAMETERS			
Resonance Frequency	Fs	Hz	38
DC Resistance	Re	Ohm	5,4
Mechanical Q Factor	Qms		5,9
Electrical Q Factor	Qes		0,29
Total Quality Factor	Qts		0,28
Equivalent Volume	Vas	L	129
Moving Mass	Mms	kg	0,136
Mechanical Compliance	Cms	mm / N	0,13
BL Factor	BL	Tesla m	24,4
Effective Piston Area	Sd	m ²	0,0845
Max. linear Excursion	Xmax	mm	±8
Voice Coil Inductance	Le1k	mH	0,86
	Le10k	mH	0,51

Frequency response measured 1000W at 1m in a closed enclosure of 125L, THD raised by 10dB



Impedance - 8 Ohm driver



MOUNTING INFORMATION		
Overall Diameter	mm	388
Mounting Holes Diameter	mm	8x(7x8)
Bolt Circle Diameter	mm	371
Baffle cut-out Diameter	mm	358
Overall Depth	mm	183
Net weight	kg	10,7

Recommended reflex enclosure:
80 l / 44 Hz, BRD = 190 mm / 402 mm long