


8S219

Ultra Low Distortion Low Midrange Driver

Ultra low distortion Series



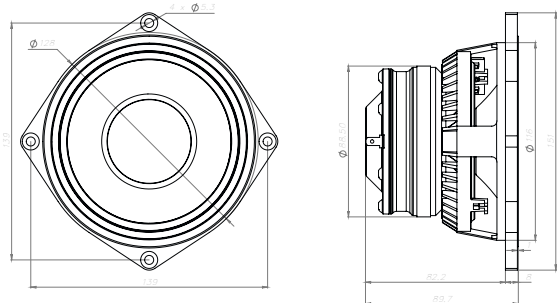


Features:

- 94 dB sensitivity 1W/1m
- 250W power handling
- 2" voice coil
- Double treated cone for water protection
- Triple Aluminum demodulating rings for ultra low distortion
- Optimal for compact 2-way systems
- Light weight carbon fibre diaphragm

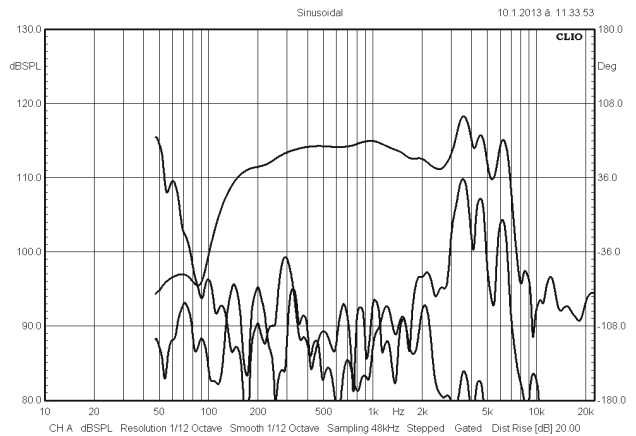
SPECIFICATIONS

Application	Low / Mid	
Nominal Impedance:	Ohm	8
Power handling AES noise:	W	250
Sensitivity (1 W / 1m):	dB	94
Frequency response:	Hz	80-3000
Voice Coil Diameter:	mm	52 (2")
Voice Coil Material:		Cu
Voice Coil Winding Depth:	mm	19
Magnet Gap Depth:	mm	6,5
Basket:		Cast Aluminum
Effect. diaphragm diameter D:	mm	168

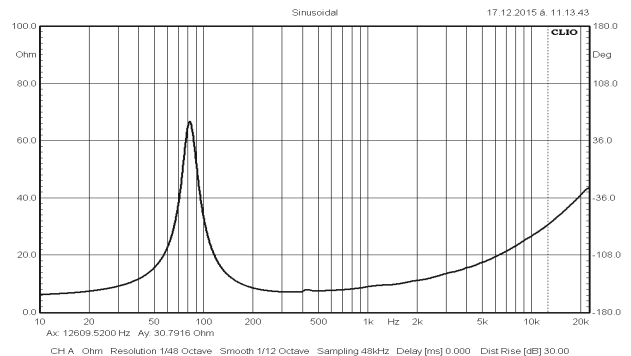


Frequency response - 100W/1m, THD raised 20 dB

Thiele-Small Parameters			
Resonance Frequency:	Fs	Hz	82
DC Resistance:	Re	Ohm	5,8
Mechanical Q Factor:	Qms		4,8
Electrical Q Factor:	Qes		0,45
Total Quality Factor:	Qts		0,41
Equivalent Volume:	Vas	L	9,7
Moving Mass:	Mms	kg	0,0266
Mechanical Compliance:	Cms	mm / N	0,14
BL Factor:	BL	Tesla m	13,30
Effective Piston Area:	Sd	m ²	0,0222
Max. linear Excursion:	Xmax	mm	±6,3
Voice Coil Inductance:	Le1k	mH	0,52
	Le10k	mH	0,333



Impedance - 16 Ohm driver



Recommended reflex enclosure:

1,9L / 104Hz, BRD = 30mm / 77mm long

3,8L / 90 Hz, BRD = 40mm / 86mm long