

# XG10

Line Array Waveguide

## KeyFeatures

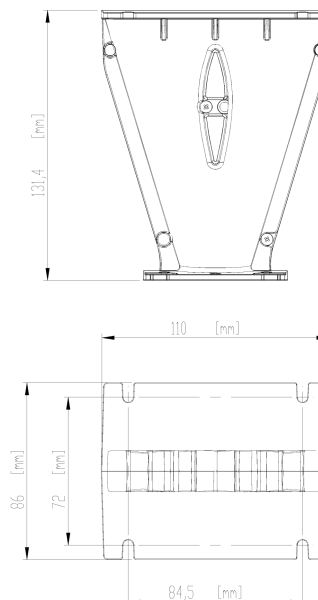
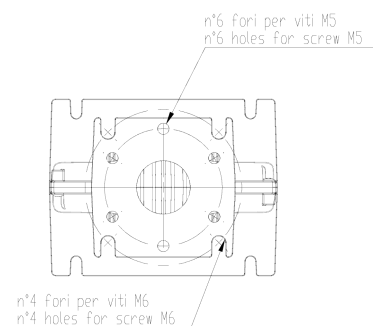
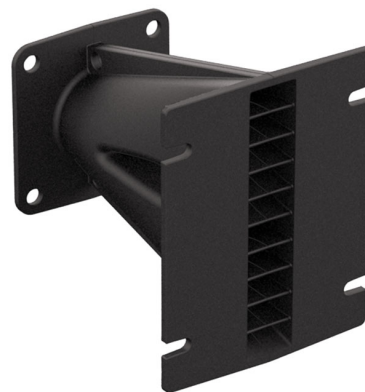
- 1.0" entry line-array source
- 10° vertical coverage angle
- Transmission line acoustical design minimizes internal reflections and acoustical losses
- Throat shape optimized for lowering air distortion
- Compact size for high arrayability
- Die-cast aluminum construction

## Description

The XG10 is a 1.0 inch throat entry line-array waveguide. The specific transmission line acoustical design minimizes internal reflections and acoustical losses, while throat shape has been optimized for lowering air distortion. The XG10 has been optimised for obtaining a 10° vertical dispersion angle, while the horizontal coverage angle could vary from 80° to 120° depending on the specific cabinet design. The waveguide has been developed to obtain optimum performances when it will coupled with 1.0 inch exit Eighteen Sound high frequency compression drivers.

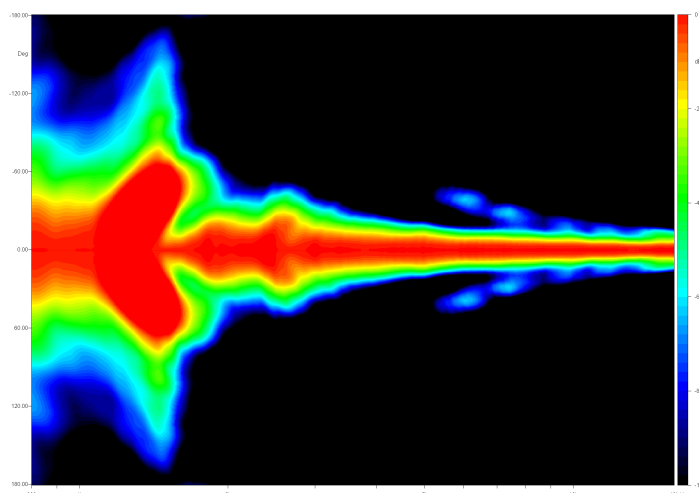
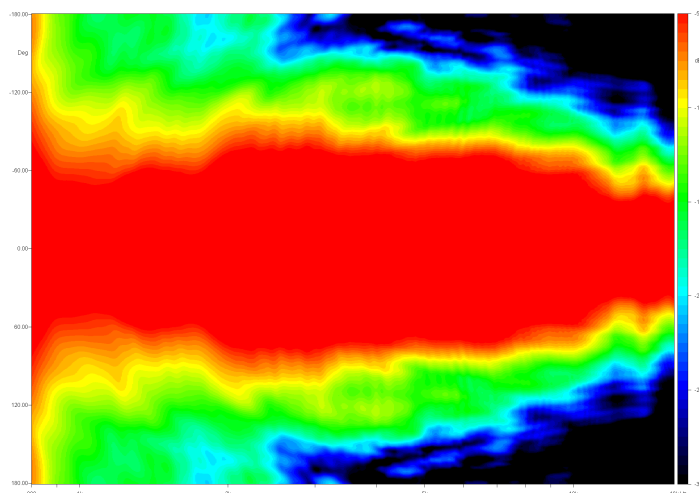
## Models

Model	Code	Info
042XG10H00	042XG10H00	



## General Specifications

Throat Diameter	25,4 mm (1,0 in)
Horizontal Coverage -6db	100° nominal
Vertical Coverage -6db	10° nominal
Directivity Index	
Usable Frequency Range	Above 1200 Hz
Recomm. Xover Frequency	
Sensitivity	111 dB
Frequency Range	1000 Hz - 18KHz
Material	Die-cast aluminum



## Notes

1) Sensitivity is measured at 1W input on ND1085 rated impedance at 1m on axis from the mouth of the line array source, averaged between 1kHz and 4 kHz.