

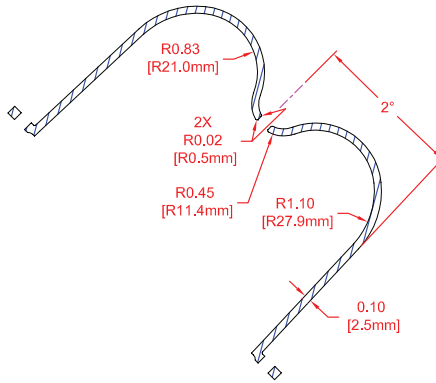
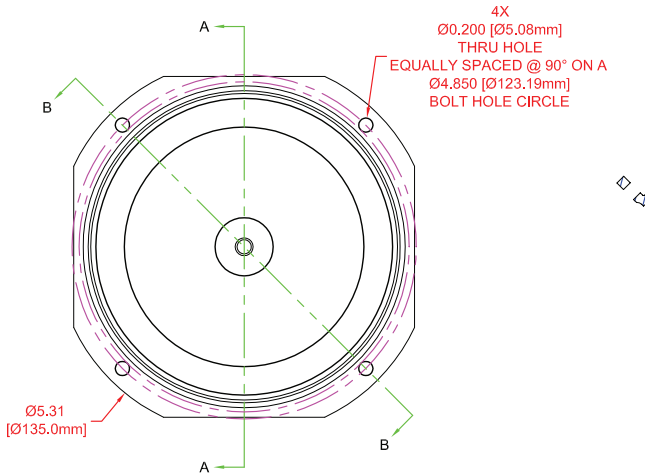
ISO-5

The ISO-5 isolation box provides a quick and cost-effective solution for chambering a 5" open-frame speaker. The molded ABS construction offers a durable and lightweight option for eliminating interference from larger woofers mounted in the same enclosure. Ideal for pro audio, MI, installed sound, and car audio applications.

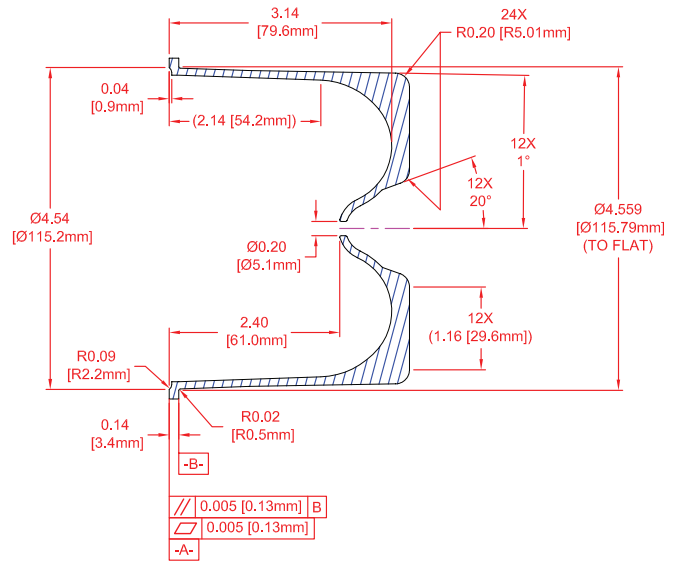
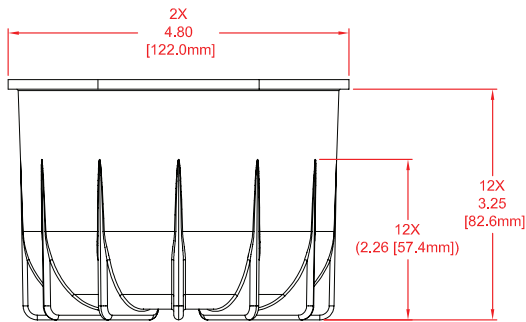
MATERIAL	ABS
WEIGHT	0.2 lbs, 0.09 kg
DEPTH	3.25", 82.6 mm
MAJOR DIAMETER	5.31", 135.0 mm
FLAT TO FLAT DIAMETER	4.80", 121.9 mm
CUT-OUT	4.56", 115.8 mm



ISO-5



SECTION B-B



SECTION A-A



From design and manufacturing to the stage or studio. Once you've experienced the performance of Eminence, you'll never accept anything else.

MISSION STATEMENT

Eminence is dedicated to providing the best Quality, Value and Service to meet our customers' needs.

FOOTNOTES

- * Please consult www.eminence.com for specifications of models with alternative impedances.
- ** Multiple units exceed published ratings evaluated under EIA 426A specification while tested in a free-air, non-temperature-controlled environment.
- *** The average output across the usable frequency range when applying 1W/1m into the nominal impedance. i.e: 2.83V/8Ω, 4V/16Ω. Eminence response curves are measured under the following conditions: All speakers are tested at 1W/1m using a variety of test set-ups for the appropriate impedance | LMS using 0.25" supplied microphone (software calibrated) mounted 1m from wall/baffle | 2 ft. x 2 ft. baffle is built into the wall with the speaker mounted flush against a steel ring for minimum diffraction | Carver PM-120 amplifier | 2700 cu. ft. chamber with fiberglass on all six surfaces (three with custom-made wedges).
- **** BETA 8CX, 10CX, and 12CX are coaxial speakers with tweeter sold separately. Published usable frequency response contingent upon use of ASD:1001 HF Driver.
- ***** Multiple units exceeded published ratings evaluated under EIA-426A or AES specification while mounted on Eminence's H290, H290S, or H2EA horn in a non-temperature-controlled environment.
- *****The average on axis output across the entire usable frequency range when applying 1W/1m into the nominal impedance, i.e. 2.83V/8Ω, 4V/16Ω. Eminence response curves are measured under the following conditions: All speakers are tested at 1W/1m using a variety of test set-ups for the appropriate impedance | LMS using 0.25" supplied microphone (software calibrated) mounted 1m from wall/baffle | 2ft x 2ft baffle is built into the wall with horn front mounted | Carver PM-120 amplifier | 2700 cu.ft. chamber with fiberglass on all six surfaces (three with custom-made wedges).

Prices, specifications and product cosmetics are subject to change without notice.

EMINENCE SPEAKER LLC

838 Mulberry Pike, Eminence, KY 40019



Follow us:

EMINENCE.COM

