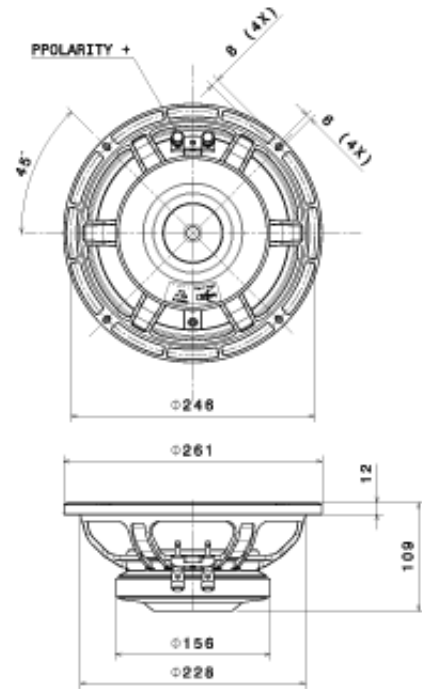




# 10PR310 Professional Series



## NOMINAL SPECIFICATIONS

Nominal Diameter	250 mm (10 in)
Overall Diameter	261 mm (10.28 in)
Bolt Circle Diameter	246 mm (9.69 in)
Baffle Cutout Diameter	230 mm (9.06 in)
Depth	109 mm (4.29 in)
Flange and Gasket Thickness	12 mm (0.47 in)
Net Weight	4.1 Kg (9.04 lb)
Shipping Box (Single Carton Box)	282x280x140 mm (11.10x11.02x5.51 in)
Shipping Weight	4.7 Kg (10.36 lb)

## ELECTRICAL SPECIFICATION

Nominal Impedance	8 Ohm
Minimum Impedance	6.6 Ohm
AES Power Handling *	300 W
Maximum Power Handling **	600 W
Sensitivity (1W/1m)	98 dB
Frequency Range	60÷4000 Hz
Voice Coil Diameter	65 mm (2.5 in)
Winding Material	Al
Former Material	Glass Fiber
Winding Depth	12.5 mm (0.49 in)
Magnetic Gap Depth	8 mm (0.31 in)
Flux Density	1.2 T
Magnet	Ferrite Ring
Demodulation	No
Suspension ***	M-Roll

## THIELE & SMALL PARAMETERS

Fs	60 Hz
Re	5.4 Ohm
Qes	0.36
Qms	5.7
Qts	0.34
Vas	28 dm <sup>3</sup> (0.99 ft <sup>3</sup> )
Sd	322 cm <sup>2</sup> (49.9 in <sup>2</sup> )
Xmax ****	4.92 mm
Xdamage *****	15.2 mm
Mms	36.9 g
Bl	14.4 N/A
Le	0.64 mH
Mmd	33.6 g
Cms	0.19 mm/N
Rms	2.44 Kg/s
Eta Zero	1.63 %
EBP	167 Hz

## NOTES

**Spider Profile:** 1x variable height waves

(\*) 2 Hours Test According to AES 2-1984 Rev. 2003

(\*\*) Maximum power is defined as 3dB greater than nominal power.

(\*\*\*) Treated Polycotton

(\*\*\*\*)  $X_{max} = [(winding\ depth - magnetic\ gap\ depth) / 2] + (magnetic\ gap\ depth / 3)$

(\*\*\*\*\*) Maximum excursion before permanent damage

## CURVES

