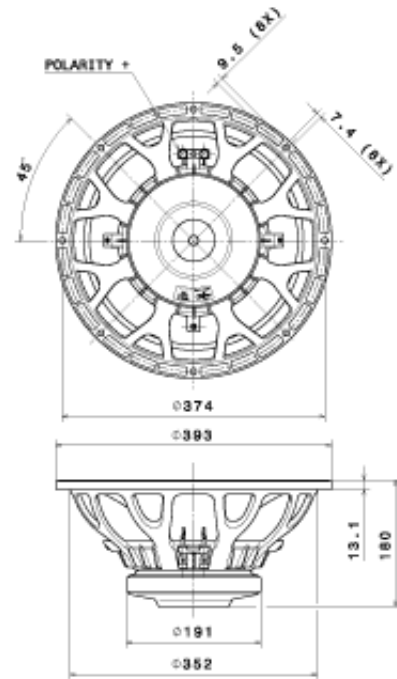




# 15FH510 Five Hundred Series



## NOMINAL SPECIFICATIONS

Nominal Diameter	380 mm (15 in)
Overall Diameter	393 mm (15.47 in)
Bolt Circle Diameter	374 mm (14.72 in)
Baffle Cutout Diameter	354 mm (13.94 in)
Depth	180 mm (7.09 in)
Flange and Gasket Thickness	13.1 mm (0.52 in)
Net Weight	8.4 Kg (18.52 lb)
Shipping Box (Single Carton Box)	350x346x190 mm (13.78x13.62x7.48 in)
Shipping Weight	8.7 Kg (19.18 lb)

## ELECTRICAL SPECIFICATION

Nominal Impedance	8 Ohm
Minimum Impedance	6.3 Ohm
AES Power Handling *	500 W
Maximum Power Handling **	1000 W
Sensitivity (1W/1m)	98 dB
Frequency Range	35÷3150 Hz
Voice Coil Diameter	77 mm (3 in)
Winding Material	Cu
Former Material	Glass Fiber
Winding Depth	22.2 mm (0.87 in)
Magnetic Gap Depth	10.5 mm (0.41 in)
Flux Density	1.15 T
Magnet	Ferrite Ring
Demodulation	No
Suspension ***	M-Roll

## THIELE & SMALL PARAMETERS

Fs	35 Hz
Re	5.1 Ohm
Qes	0.27
Qms	10.7
Qts	0.27
Vas	173.8 dm <sup>3</sup> (6.14 ft <sup>3</sup> )
Sd	800 cm <sup>2</sup> (124 in <sup>2</sup> )
Xmax ****	9.35 mm
Xdamage *****	20 mm
Mms	108 g
Bl	21 N/A
Le	1.4 mH
Mmd	95.2 g
Cms	0.19 mm/N
Rms	2.2 Kg/s
Eta Zero	2.6 %
EBP	130 Hz

## NOTES

**Spider Profile:** 1x variable height waves

(\*) 2 Hours Test According to AES 2-1984 Rev. 2003

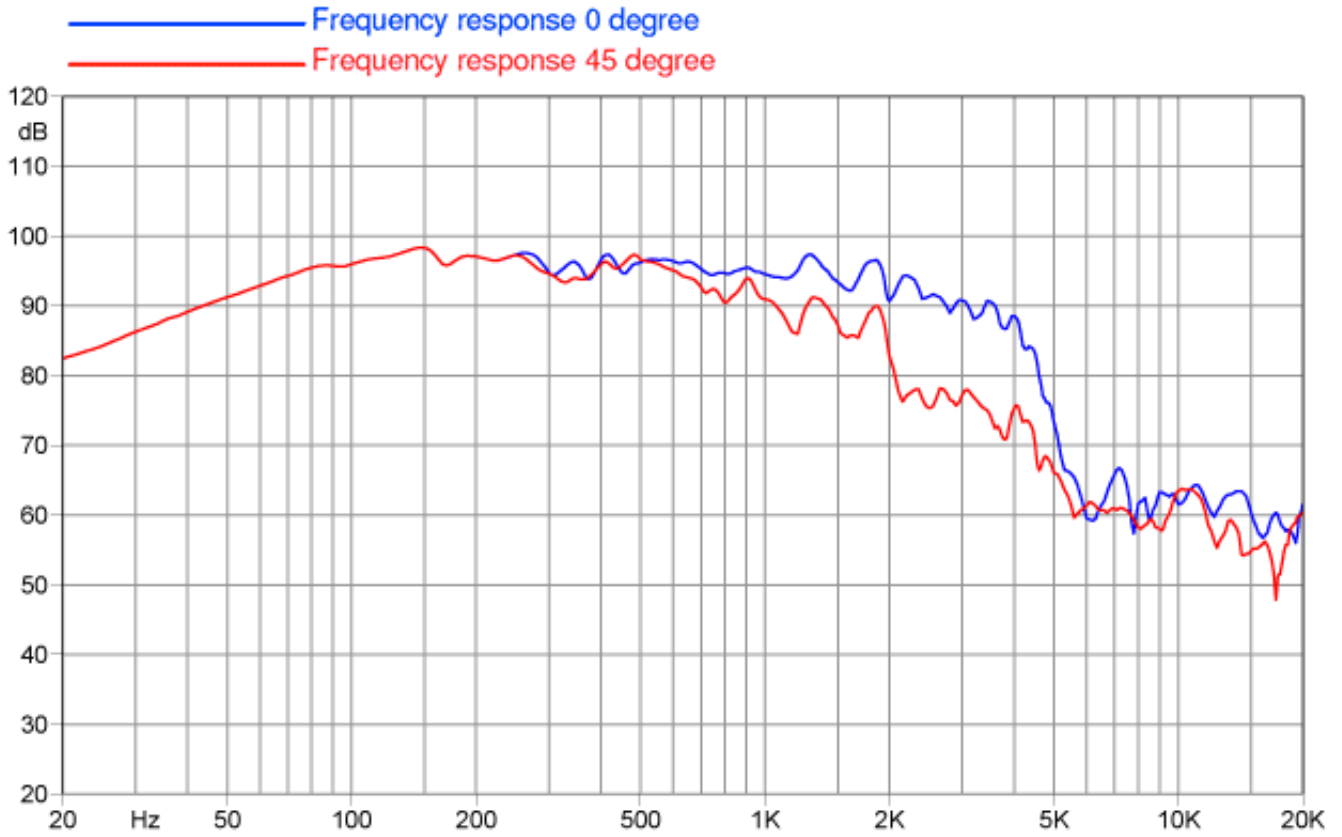
(\*\*) Maximum power is defined as 3dB greater than nominal power.

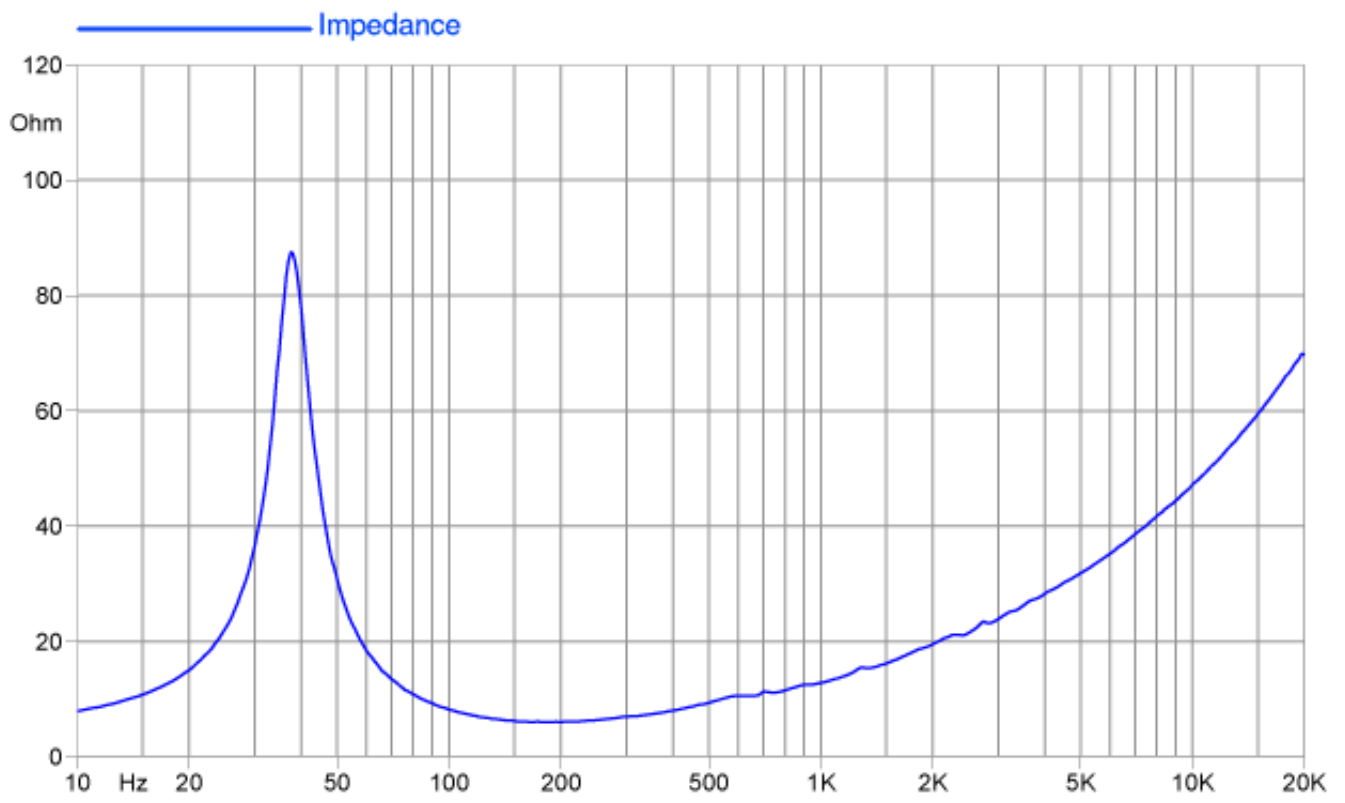
(\*\*\*) Treated Polycotton

(\*\*\*\*)  $X_{max} = [(winding\ depth - magnetic\ gap\ depth) / 2] + (magnetic\ gap\ depth / 3)$

(\*\*\*\*\*) Maximum excursion before permanent damage

## CURVES





---

©Copyright 2012 - Faisal S.p.A. Fabbrica Italiana Altoparlanti - All right reserved.