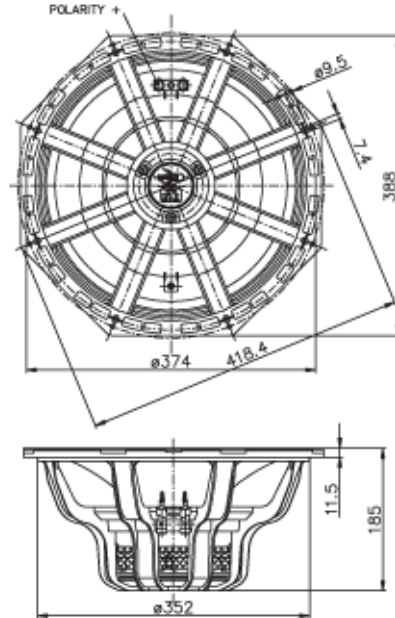




15FX560 Five Hundred Series



NOMINAL SPECIFICATIONS

Nominal Diameter	380 mm (15 in)
Overall Diameter	418.3/388 mm (16.5/15.3 in)
Bolt Circle Diameter	374 mm (14.72 in)
Baffle Cutout Diameter	354 mm (13.94 in)
Depth	184.6 mm (7.27 in)
Flange and Gasket Thickness	11.5 mm (0.45 in)
Net Weight	7.6 Kg (16.7 lb)
Shipping Box (Single Carton Box)	426x429x225 mm (16.8x16.9x8.9 in)
Shipping Weight	9 Kg (19.8 lb)

ELECTRICAL SPECIFICATION

Nominal Impedance	8 Ohm
Minimum Impedance	7.0 Ohm
Nominal Power Handling *	700 W
Maximum Power Handling **	1400 W
Sensitivity (1W/1m)	99 dB
Frequency Range	40÷4000 Hz
Voice Coil Diameter	77 mm (3 in)
Winding Material	Al
Former Material	Glass Fiber
Winding Depth	23.5 mm (0.93 in)
Magnetic Gap Depth	14 mm (0.55 in)
Flux Density	1.1 T

THIELE & SMALL PARAMETERS

Fs	38 Hz
Re	5.2 Ohm
Qes	0.31
Qms	6.76
Qts	0.30
Vas	160 dm ³ (5.65 ft ³)
Sd	859 cm ² (133.1 in ²)
Xmax ***	9.42 mm
Xdamage ****	21.8 mm
Mms	115 g
Bl	21.5 N/A
Le	0.64 mH
Mmd	100.7 g
Cms	0.15 mm/N
Rms	4.2 Kg/s
Eta Zero	2.76 %
EBP	123 Hz

NOTES

[Al] demodulation ring for reduced total harmonic distortion

(*) 2 Hours Test According to AES 2-1984 Rev. 2003

(**) Maximum power is defined as 3dB greater than nominal power.

(***) Xmax = [(winding depth - magnetic gap depth) / 2] + (magnetic gap depth / 3)

(****) Maximum excursion before permanent damage

CURVES

