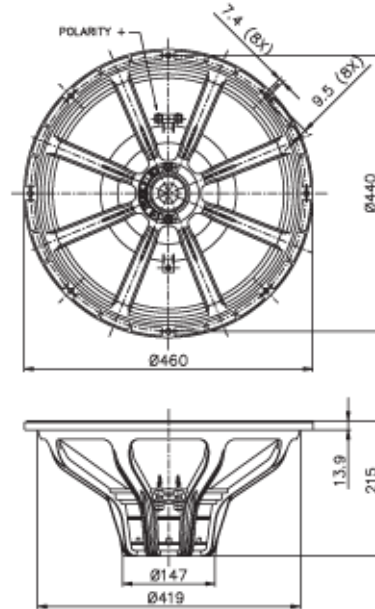




18HP1060 High Performance Series



NOMINAL SPECIFICATIONS

Nominal Diameter	460 mm (18 in)
Overall Diameter	460 mm (18.11 in)
Bolt Circle Diameter	440 mm (17.32 in)
Baffle Cutout Diameter	422 mm (16.61 in)
Depth	194.3 mm (7.65 in)
Flange and Gasket Thickness	13.9 mm (0.55 in)
Net Weight	7.3 Kg (16.09 lb)
Shipping Box (Single Carton Box)	503x500x258 mm (19.80x19.68x10.16 in)
Shipping Weight	8.7 Kg (19.18 lb)

ELECTRICAL SPECIFICATION

Nominal Impedance	8 Ohm
Minimum Impedance	6.3 Ohm
Nominal Power Handling *	1200 W
Maximum Power Handling **	2400 W
Sensitivity (1W/1m)	98 dB
Frequency Range	35÷1600 Hz
Voice Coil Diameter	100 mm (4 in)
Winding Material	Cu
Former Material	Glass Fiber
Winding Depth	28.9 mm (1.14 in)
Magnetic Gap Depth	12 mm (0.47 in)
Flux Density	1.22 T

THIELE & SMALL PARAMETERS

Fs	35 Hz
Re	5 Ohm
Qes	0.38
Qms	11.1
Qts	0.37
Vas	190.8 dm ³ (6.74 ft ³)
Sd	1174 cm ² (181.97 in ²)
Xmax ***	12.45 mm
Xdamage ****	21 mm
Mms	211.8 g
Bl	24.8 N/A
Le	1.26 mH
Mmd	189.1 g
Cms	0.098 mm/N
Rms	4.19 Kg/s
Eta Zero	2.1 %
EBP	92 Hz

NOTES

[A] demodulation ring for reduced total harmonic distortion

(*) 2 Hours Test According to AES 2-1984 Rev. 2003

(**) Maximum power is defined as 3dB greater than nominal power.

(***) Xmax = [(winding depth - magnetic gap depth) / 2] + (magnetic gap depth / 3)

(****) Maximum excursion before permanent damage

CURVES

