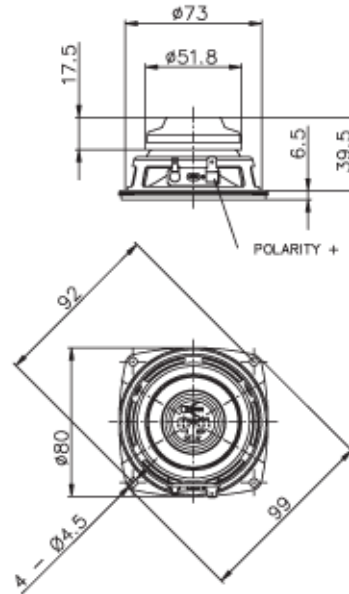




# 3FE20 Fe Series



## NOMINAL SPECIFICATIONS

Nominal Diameter	80 mm (3 in)
Overall Diameter	99 mm (3.9 in)
Bolt Circle Diameter	92 mm (3.62 in)
Baffle Cutout Diameter	75 mm (2.95 in)
Depth	39.5 mm (1.55 in)
Flange and Gasket Thickness	6.5 mm (0.25 in)
Net Weight	230 g (0.51lb)
Shipping Box (Single Carton Box - 27 units)	310x285x210 mm (12.2x11.22x8.26 in)
Shipping Weight (27 units)	7.6 Kg (16.72 lb)

## ELECTRICAL SPECIFICATION

Nominal Impedance	8 Ohm
Minimum Impedance	6.2 Ohm
Nominal Power Handling *	20 W
Maximum Power Handling **	40 W
Sensitivity (1W/1m)	91 dB
Frequency Range	100÷20000 Hz
Voice Coil Diameter	19 mm (0.75 in)
Winding Material	Al
Former Material	Kapton
Winding Depth	5 mm (0.2 in)
Magnetic Gap Depth	4 mm (0.16 in)
Flux Density	1.5 T

## THIELE & SMALL PARAMETERS

Fs	110 Hz
Re	6.2 Ohm
Qes	0.5
Qms	5
Qts	0.45
Vas	0.95 dm <sup>3</sup> (0.033 ft <sup>3</sup> )
Sd	29.4 cm <sup>2</sup> (4.56 in <sup>2</sup> )
Xmax ***	1.83 mm
Xdamage ****	7.3 mm
Mms	2.46 g
Bl	4.5 N/A
Le	0.15 mH
Mmd	2.38 g
Cms	0.78 mm/N
Rms	0.35 Kg/s
Eta Zero	0.28 %
EBP	220 Hz

## NOTES

Packaged and sold in multiples of 27 units

(\* ) 2 Hours Test According to AES 2-1984 Rev. 2003

(\*\* ) Maximum power is defined as 3dB greater than nominal power.

(\*\*\* ) Xmax = [(winding depth - magnetic gap depth) / 2] + (magnetic gap depth / 3)

(\*\*\*\* ) Maximum excursion before permanent damage

# CURVES

---

