



# 3FE25

3" - 20 W - 90 dB

## NOMINAL SPECIFICATIONS

Nominal Diameter	80 mm (3 in)
Overall Diameter	105.6/81 mm (4.16/3.19 in)
Bolt Circle Diameter	92 mm (3.62 in)
Baffle Cutout Diameter	73.6 mm (2.90 in)
Depth	54.5 mm (2.15 in)
Flange and gasket Thickness	6.5 mm (0.26 in)
<b>Net Weight</b>	<b>545 g (1.2 lb)</b>
Shipping Box	285 x 285 x 255 mm
(Single Carton Box - 36 units)	(11.2 x 11.2 x 10.0 in)
Shipping Weight (36 units)	20.8 kg (45.9 lb)

## TECHNICAL PARAMETERS

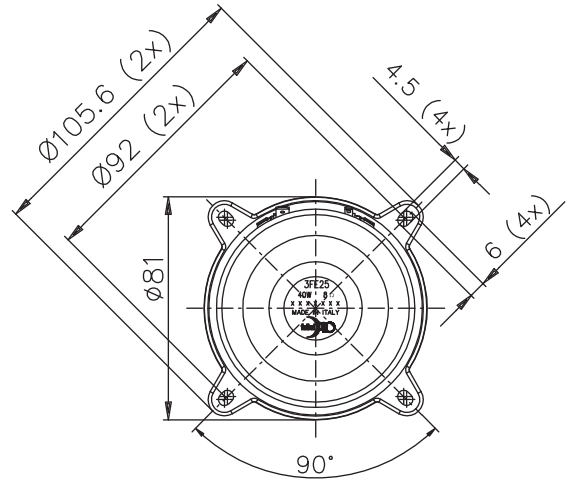
Nominal Impedance	16 Ω
Minimum Impedance	13.4 Ω
AES Power Handling (1)	20 W
<b>Maximum Power Handling (4)</b>	<b>40 W</b>
<b>Sensitivity (1W/1m)</b>	<b>90 dB</b>
Frequency Range	100 ÷ 20000 Hz
<b>Voice Coil Diameter</b>	<b>19 mm (0.75 in)</b>
Winding Material	Al
Former Material	Kapton
Winding Depth	5 mm (0.20 in)
<b>Magnetic Gap Depth</b>	<b>4 mm (0.16 in)</b>
Flux Density	1.1 T
<b>Magnet</b>	<b>Ferrite Ring</b>
Basket Material	Steel
Demodulation	Copper Cap
Cone Surround (5)	Half Roll
NET Air Volume filled by Loudspeaker	0.125 dm <sup>3</sup> (0.004 ft <sup>3</sup> )
Spider Profile	1x constant height waves

## THIELE & SMALL PARAMETERS

Fs	0 Hz
Re	12.3 Ω
Qes	1.02
Qms	4.9
Qts	0.82
Vas	1.14 dm <sup>3</sup> (0.04 ft <sup>3</sup> )
Sd	30.2 cm <sup>2</sup> (4.68 in <sup>2</sup> )
Xmax (2)	1.83 mm
Xdamage (3)	7.9 mm
Mms	2.4 g
Bl	4.5 N/A
Le	0.1 mH
Mmd	2.3 g
Cms	0.88 mm/N
Rms	0.34 kg/s
η <sub>o</sub> (Eta Zero)	0.14 %
EBP	108 Hz

### NOTE:

- (1) 2 Hours Test According to AES 2-1984 Rev. 2003
  - (2)  $X_{max} = [(Winding\ Depth - magnetic\ gap\ depth)/2] + (magnetic\ gap\ depth / 3)$
  - (3) Maximum excursion before permanent damage
  - (4) Maximum power is defined as 3dB greater than nominal power
  - (5) NBR
- Packaged and sold in multiples of 36 units



POLARITY +

