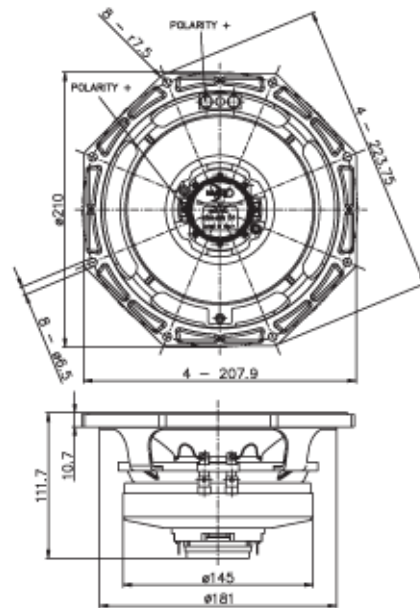




8HX150 Coaxial loudspeakers



NOMINAL SPECIFICATIONS

Nom. Diameter	200 mm (8 in)	
Overall Diameter	223.75/207.9 mm (8.81/8.19 in)	
Bolt Circle Diameter	210 mm (8.27 in)	
Baffle Cutout Diameter	183 mm (7.20 in)	
Depth	111.7 mm (4.40 in)	
Flange and Gasket Thickness	10.7 mm (0.42 in)	
Net Weight	3.6 Kg (7.94 lb)	
Shipping Box (Single Carton Box)	246x246x150 mm (9.69x9.69x5.91 in)	
Shipping Weight	4.3 Kg (9.48 lb)	

TECHNICAL PARAMETERS

	[LF]	[HF]
Nom. Impedance	8 Ohm	8 Ohm
Minimum Impedance	6.6 Ohm	6.4 Ohm
Nom. Power Handling *	250 W	15 W
Max Power Handling **	500 W	30 W
Sensitivity (1W/1m) ***	94 dB	104 dB
Frequency Range	75-4000 Hz	1500-18000 Hz
Voice Coil Diameter	65 mm (2.50 in)	25 mm (0.98 in)
Winding Material	Al	Al
Former Material	Glass Fiber	Kapton
Winding Depth	12.5 mm (0.49 in)	1.7 mm (0.07 in)
Magnetic Gap Depth	8 mm (0.31 in)	2 mm (0.08 in)
Flux Density	1 T	1.35 T
Min. Cross. Freq. ****	-	1700 Hz
Dispersion Angle	-	90°
Diaphragm Material	-	Ketone Polymer
Diaphragm Shape	-	Dome

THIELE & SMALL PARAMETERS

Fs	76 Hz
Re [LF]	5.5 Ohm
Re [HF]	6 Ohm
Qes	0.42
Qms	9.5
Qts	0.43
Vas	12.4 dm ³ (0.44 ft ³)
Sd	211 cm ² (32.71 in ²)
Xmax *****	4.92 mm
Xdamage *****	10.2 mm
Mms	22.3 g
Bl	11.6 N/A
Le	0.67 mH
Mmd	20.6 g
Cms	0.2 mm/N
Rms	1 Kg/s
Eta Zero	1.22 %
EBP	181 Hz

NOTES

(*) 2 Hours Test According to AES 2-1984 Rev. 2003

(**) Maximum power is defined as 3dB greater than nominal power.

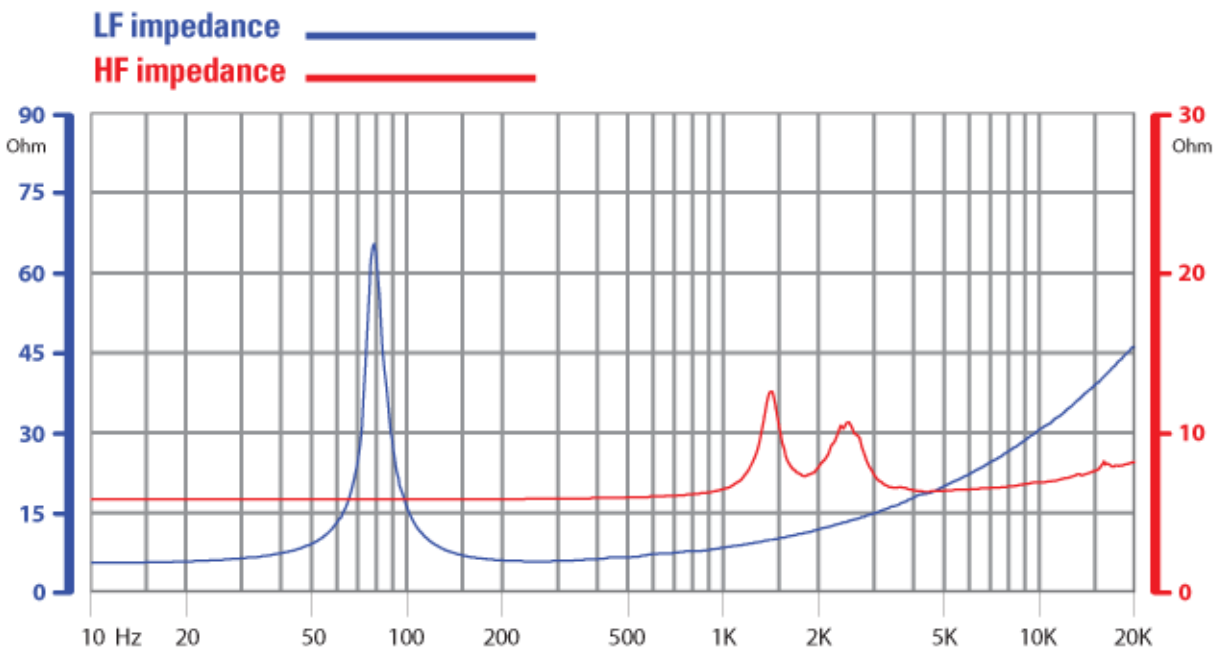
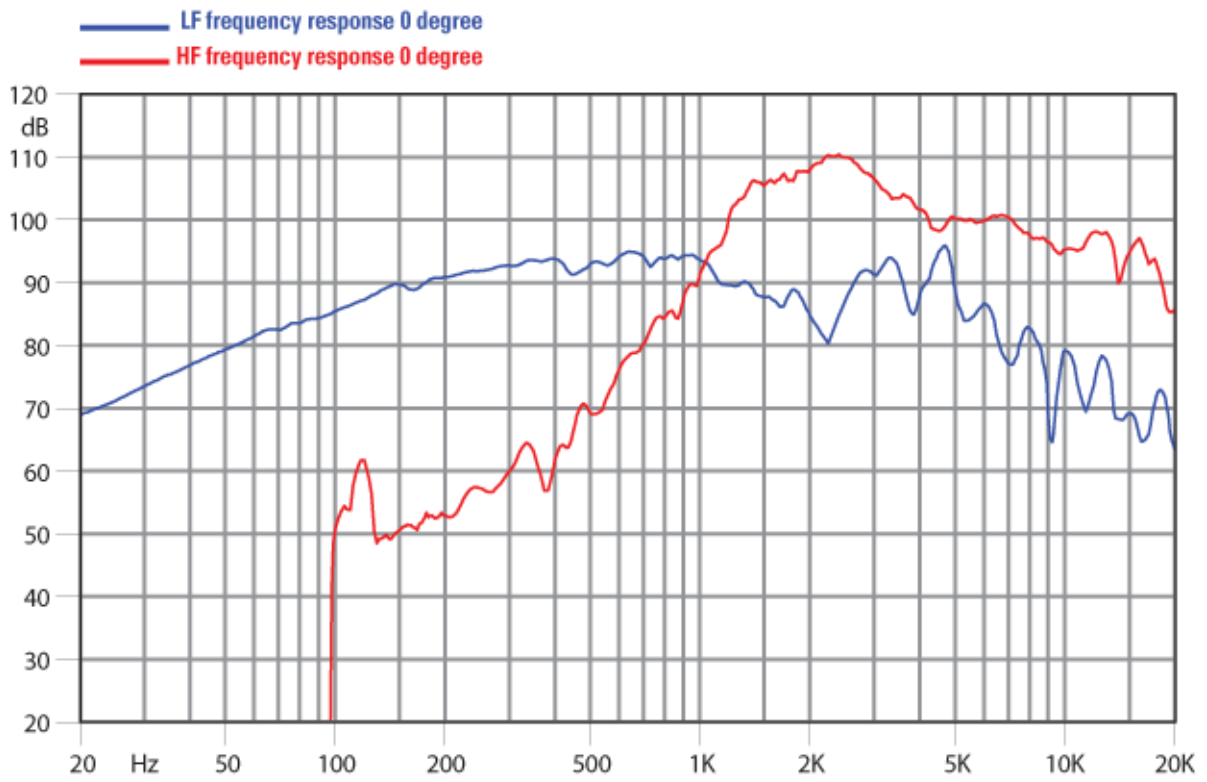
(***) HF Sensitivity averaged within the frequency range

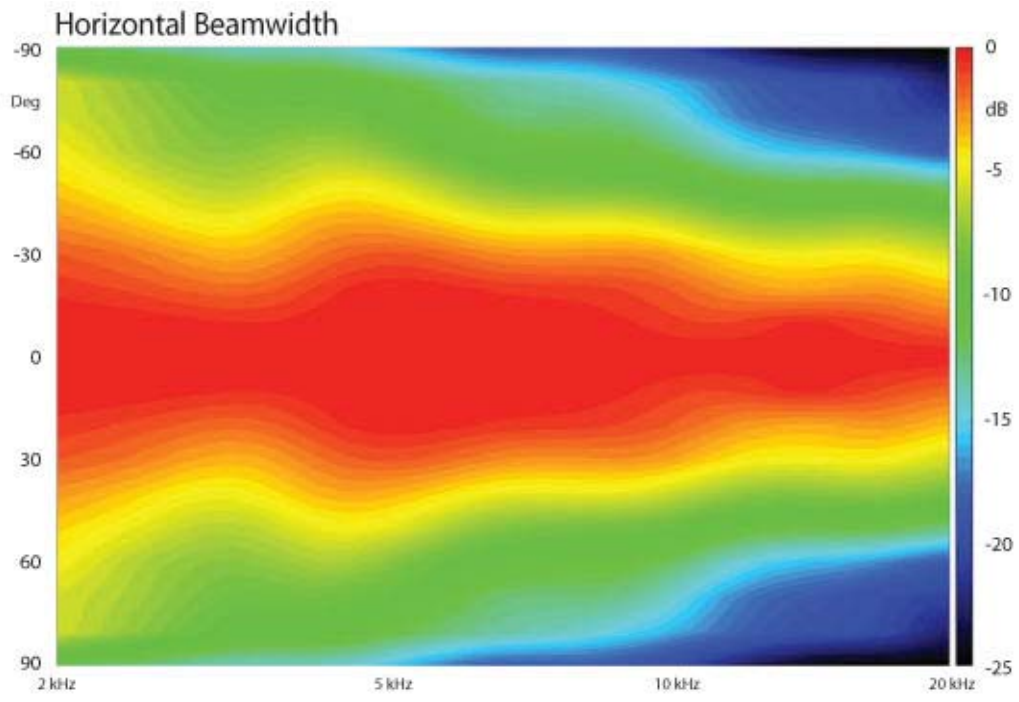
(****) 12 dB/oct or higher slope high-pass filter

(*****) Xmax = [(winding depth - magnetic gap depth) / 2] + (magnetic gap depth / 3)

(*****) Maximum excursion before permanent damage

CURVES





©Copyright 2007 - Faisal S.p.A. Fabbrica Italiana Altoparlanti - All right reserved.